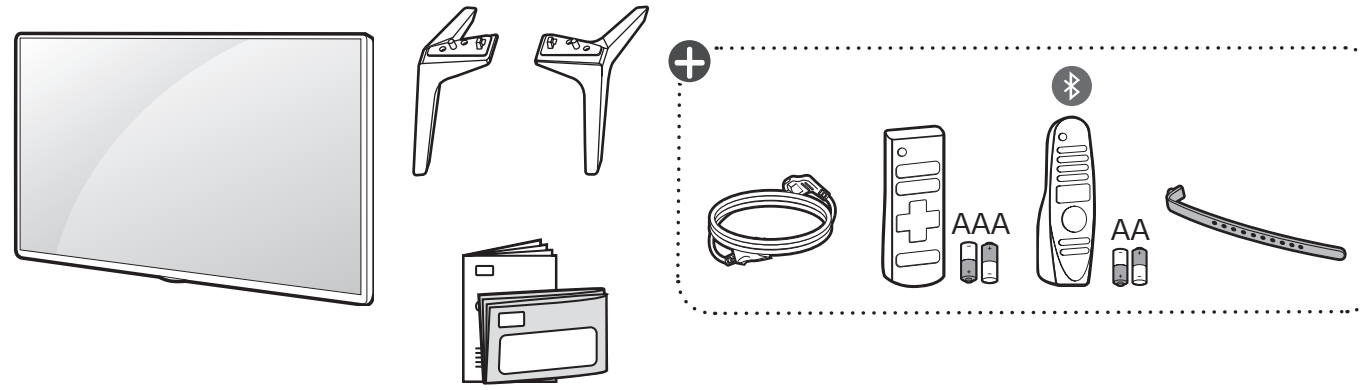




a x 4
(M4 x L16)
49/55UM71*

b x 6
(M4 x L20)
60/70UM71*

c x 6
(M4 x L30)
75UM71*

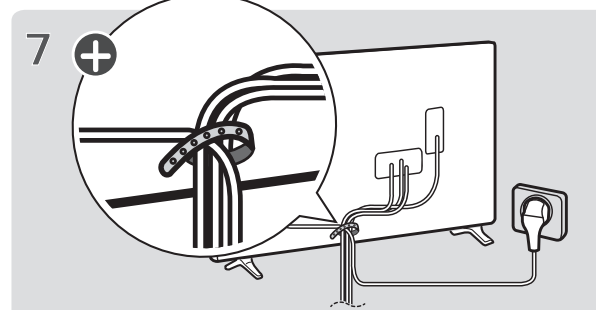
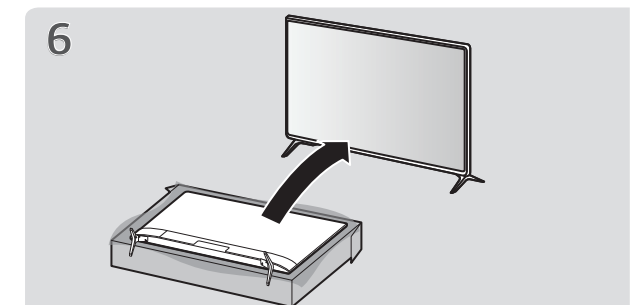
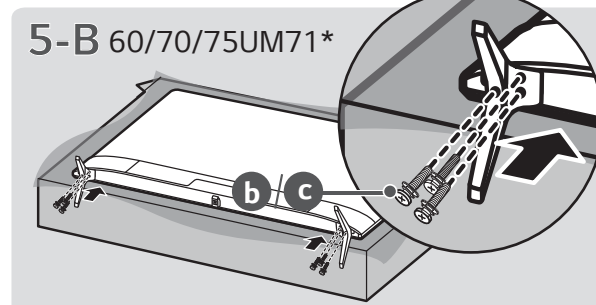
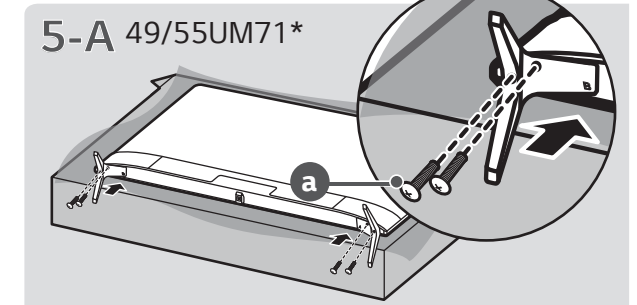
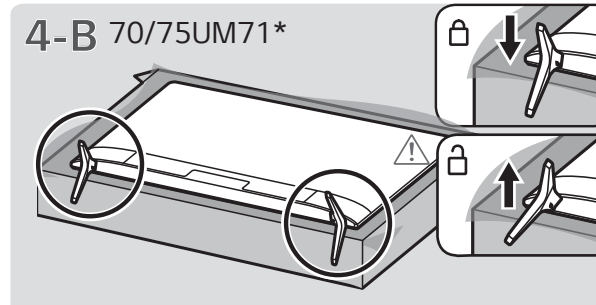
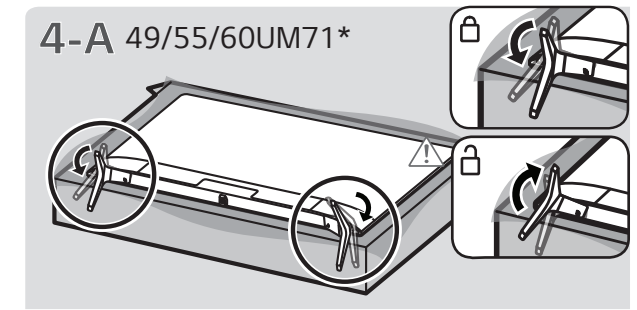
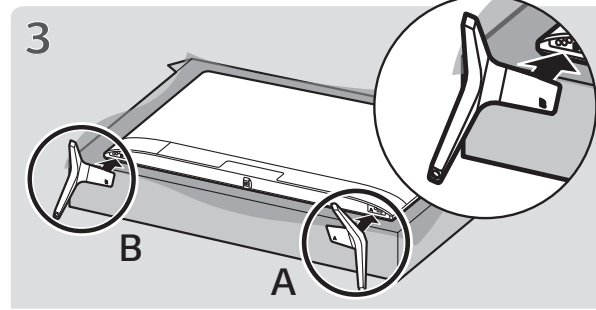
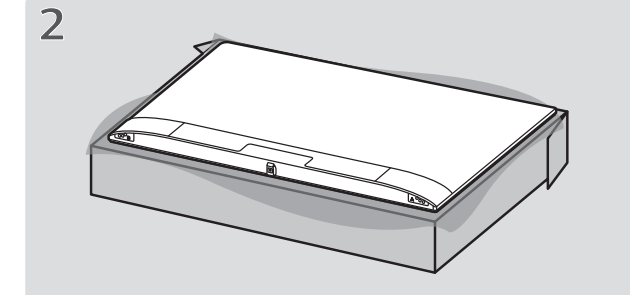
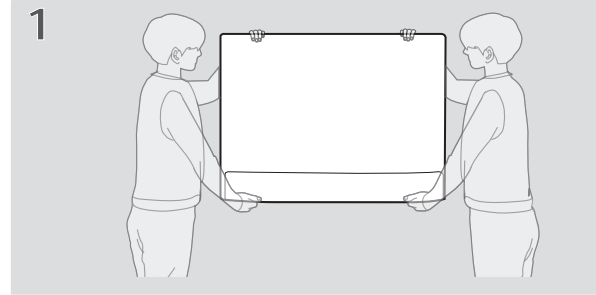


English • Read **Safety and Reference**.
• For the power supply and power consumption, refer to the label attached to the product.

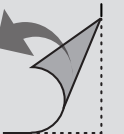
Türkçe • **Güvenlik ve Referans** bölümünü okuyun.
• Güç kaynağı ve güç tüketimi için ürüne yapıştırılmış olan etikete bakın.

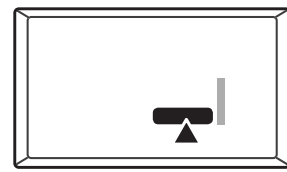
Français • Lire le document **Sécurité et référence**.
• Reportez-vous à l'étiquette apposée sur le téléviseur pour connaître l'alimentation et la consommation électriques.

العربية • قراءة الأمان والمرجع.
• لمعرفة المزيد حول مصدر الإمداد بالطاقة المطلوب ومعايير استهلاك الطاقة، راجع الملصق الموجود على المنتج.



⊕ : Depending on model / Modele bağı olarak deęişkenlik gösterebilir / Selon le modèle / حسب الطراز

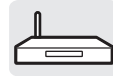




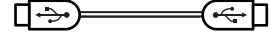
OPTICAL DIGITAL AUDIO OUT



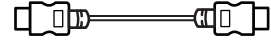
LAN



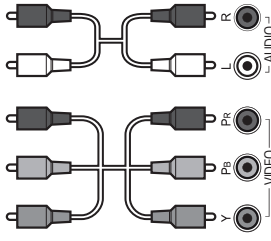
USB IN



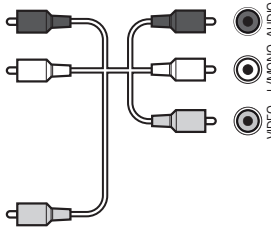
HDMI IN



COMPONENT IN



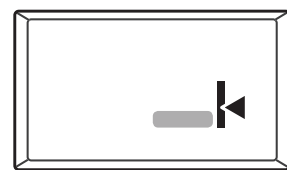
AV IN



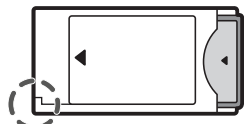
Satellite IN



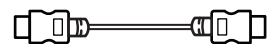
ANTENNA / CABLE IN



PCMCIA CARD SLOT



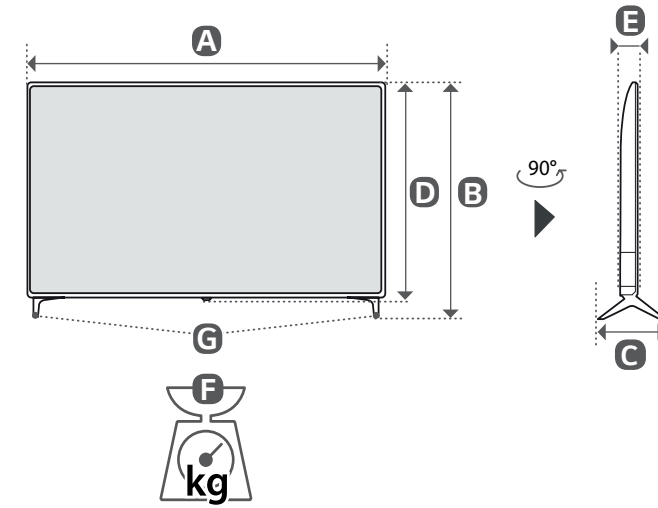
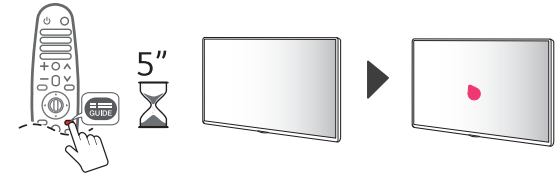
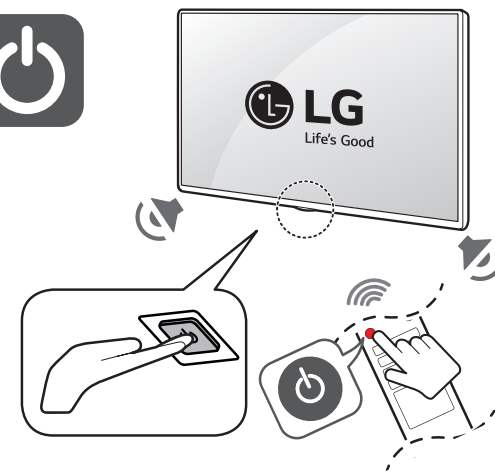
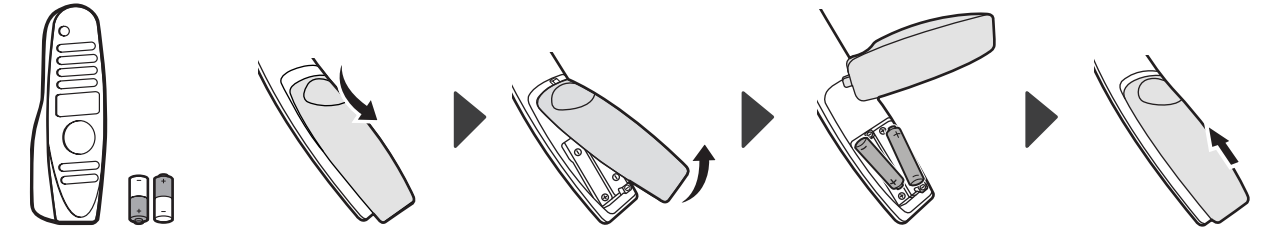
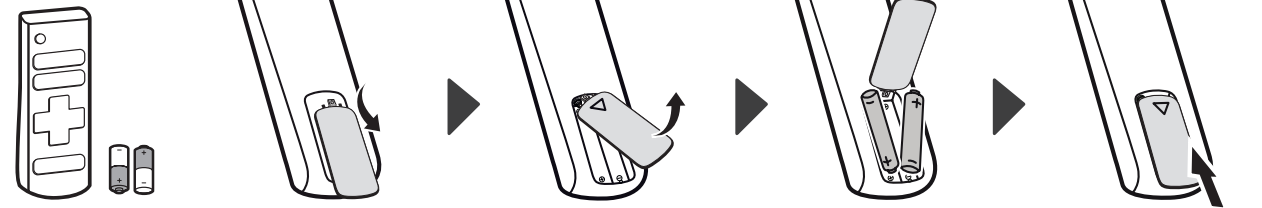
HDMI IN



HDMI IN/ARC



USB IN



	A	B	C	D	E	F	F-G
	(mm)				(kg)		
49UM7100PLB 49UM71007LB	1108	708	231	649	79.5	11.1	10.9
55UM7100PLB 55UM71007LB	1247	787	231	728	88.3	13.9	13.7
60UM7100PLB 60UM71007LB	1368	862	269	796	89.1	19.8	19.4
70UM7100PLA	1578	984	299	913	91.1	31.4	30.7
75UM7110PLB	1693	1048	345	978	88.8	35.4	34.6
Power requirement / Güç gereksinimi / Alimentation / متطلبات الطاقة				AC 100-240 V ~ 50/60 Hz			