



RAZER PHONE 2

MASTER GUIDE

Meet the **Razer Phone 2**—our all-new flagship phone with new features like wireless charging, water resistance, an illuminated Razer Chroma™ logo and an upgraded processor with vapor chamber cooling. It's both a flagship phone for everyday use and a gaming phone for incredibly immersive gameplay experiences.

CONTENTS

1. WHAT'S INSIDE.....	3
2. LET'S GET YOU COVERED.....	4
3. TECHNICAL SPECIFICATIONS.....	5
4. EXPLORING YOUR PHONE.....	6
5. SETTING UP YOUR RAZER PHONE 2.....	8
6. USING THE RAZER PHONE 2.....	11
7. CONFIGURING YOUR PHONE.....	17
8. PERSONALIZING THE RAZER LOGO LIGHTING.....	50
9. SAFETY AND MAINTENANCE.....	54
10. LEGALESE.....	56

1. WHAT'S INSIDE

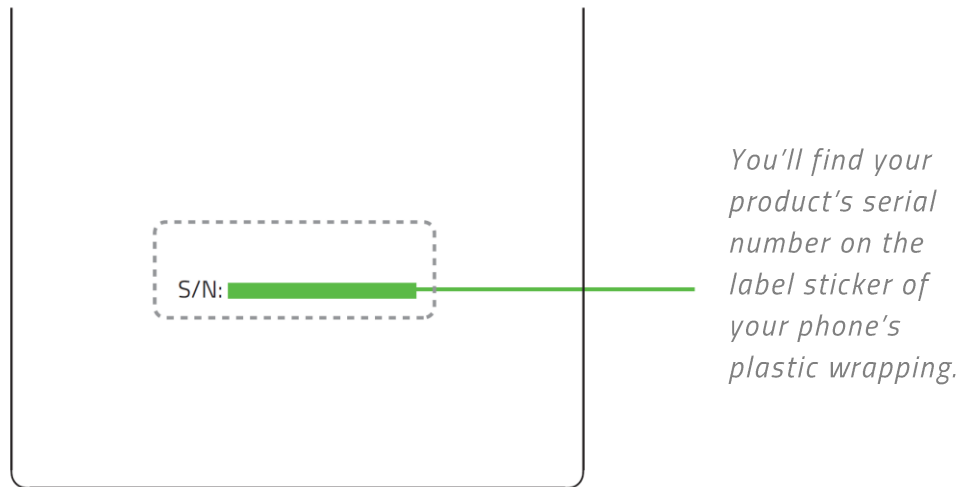
- Razer Phone 2*
- Lithium-Ion battery (built-in)
- Quick charger (may vary for specific regions)
- USB-C charging cable
- USB-C audio adapter
- SIM eject pin
- Important Product Information Guide

**May have a preinstalled SIM card depending on your carrier.*

2. LET'S GET YOU COVERED

You've got a great device in your hands—now maximize its potential by registering online! You score exclusive Razer benefits, information on your phone's limited 1-year warranty*, and more.

Register now at razerid.razer.com/warranty



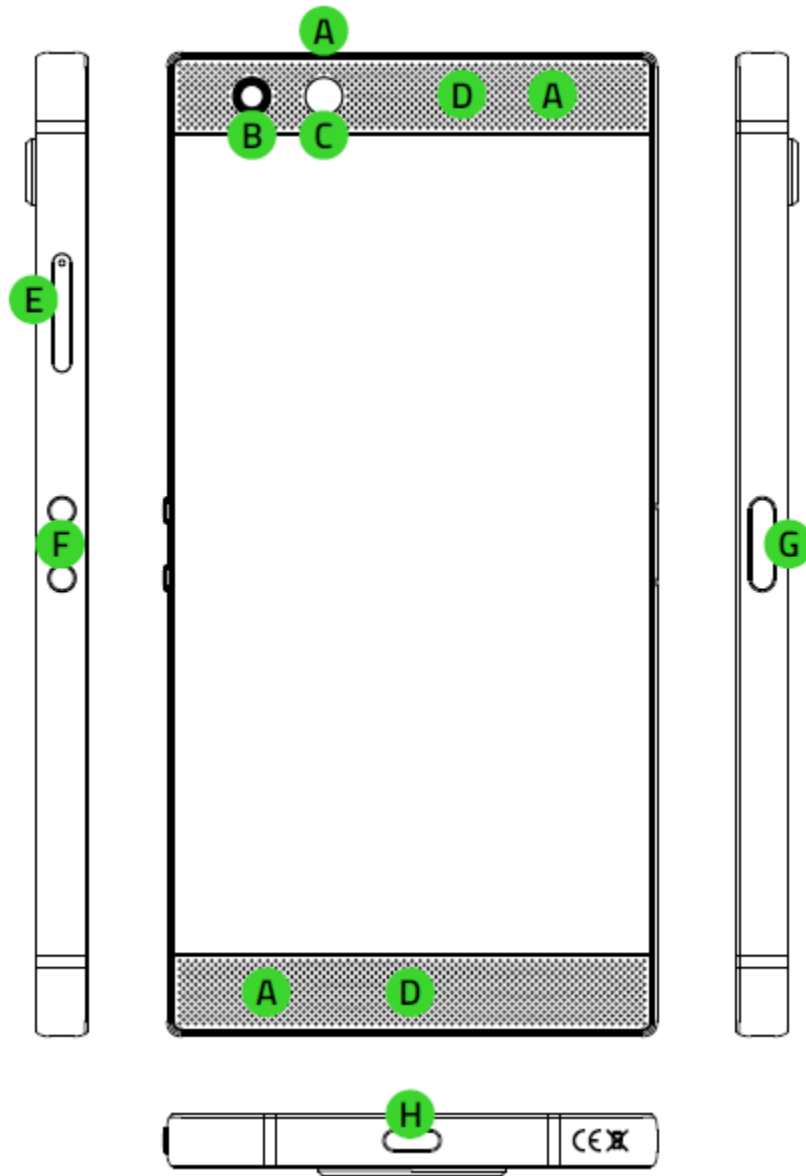
Got a question? Ask the Razer Support Team at support.razer.com

** Consumer Law. This Limited Warranty gives you specific legal rights, and you may have other rights that vary by your country, province or state, as applicable. Other than as permitted by law, Razer does not exclude, limit or suspend other rights you may have. For a full understanding of your rights, you should consult the laws of your country, province or state, as applicable. For further warranty terms and conditions please visit razer.com/warranty*

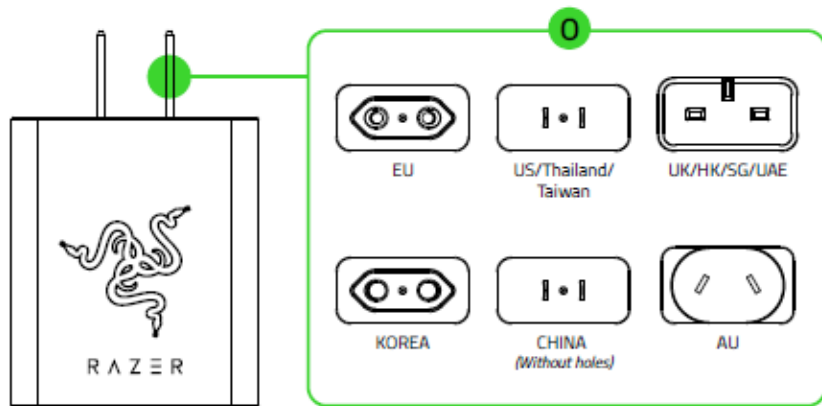
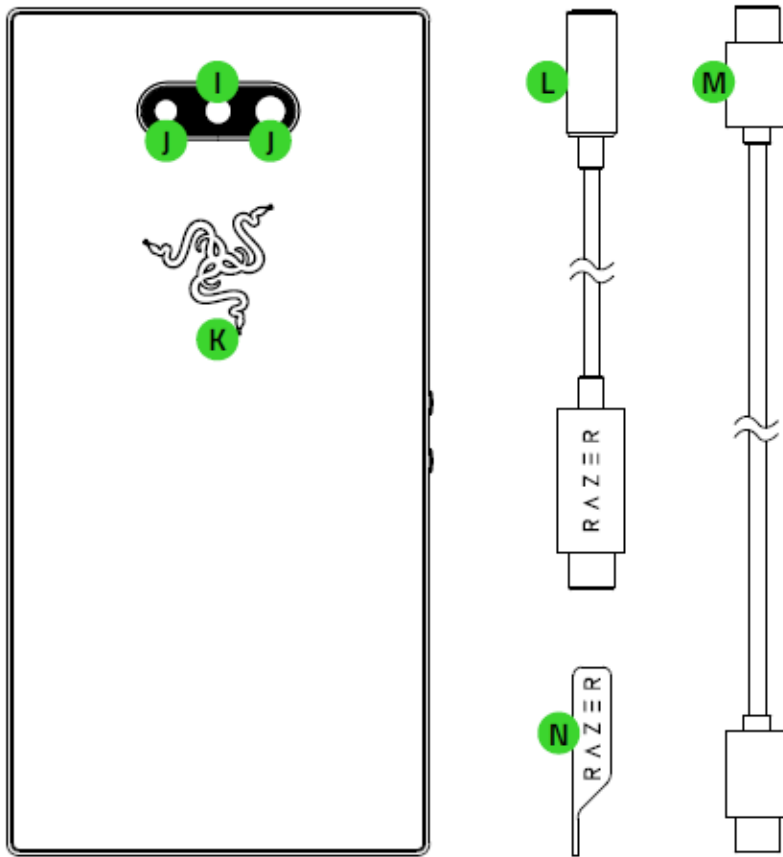
3. TECHNICAL SPECIFICATIONS

Processor	Qualcomm® Snapdragon™ 845 (up to 2.8GHz) with Adreno™ 630 Visual Processing Subsystem
System Memory	8 GB LPDDR4X
Storage	64 GB V4 UFS
Display	5.7" 120Hz 1440x2560 IGZO Display
Rear Cameras	<ul style="list-style-type: none">▪ Wide: f/1.75 lens with 12MP Sony IMX 363 Sensor and OIS▪ Telephoto: f/2.6 lens with 12MP Sony IMX 351 Sensor▪ Video: 2160p@30fps, 1080p@120fps
Front Camera	f/2.0 lens with 8 MP Samsung 3H7 Sensor
Sound	Dual front-firing stereo speakers with dual amplifiers
Power	<ul style="list-style-type: none">▪ 4,000 mAh battery▪ 1.0C charge rate, QuickCharge 4.0+ support▪ Qi inductive fast charging (11.25W)
Wireless	<ul style="list-style-type: none">▪ GSM / HSPA+ / LTE▪ CAT 18 (DL) / CAT 13 (UL)▪ Wi-Fi: 802.11 a/b/g/n/ac▪ Dual-band (MIMO) with 2x2 antennas▪ NFC: Android Pay and Android Beam compliant
Connectivity	<ul style="list-style-type: none">▪ USB v3.1 Type-C, USB Host, USB 3.1 Gen1, USB OTG▪ DisplayPort mixing over USB
Bands	<ul style="list-style-type: none">▪ GSM: 850, 900, 1800, 1900▪ WCDMA: 1, 2, 3, 4, 5, 8▪ FDD-LTE: 1, 2, 3, 4, 5, 7, 8, 12, 13, 14, 17, 18, 19, 20, 26, 28, 29, 30, 32, 66, 71▪ TDD-LTE: 38, 39, 40, 41, 48▪ LAA: 46▪ TDSCDMA: 34, 39
Size	158.5 mm x 78.99 mm x 8.5 mm

4. EXPLORING YOUR PHONE



- A. Microphone
- B. Front camera
- C. Ambient light sensor
- D. Speakers
- E. microSD / SIM card tray
- F. Volume control buttons
- G. Power button / Fingerprint sensor
- H. USB-C port



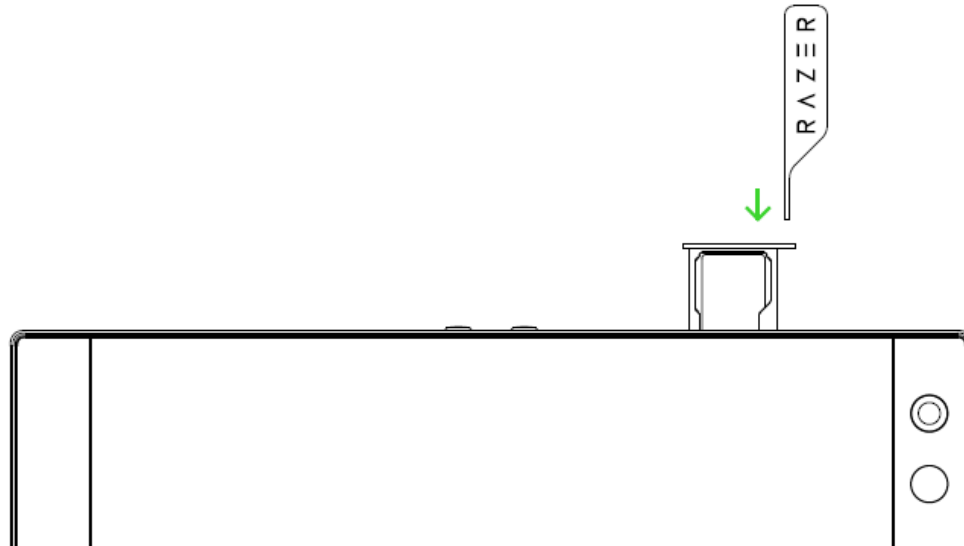
- I. Flash
- J. Dual rear camera lens
- K. Razer logo Powered by Razer Chroma™

- L. USB-C audio adapter
- M. USB-C charging cable
- N. SIM eject pin
- O. Quick charger

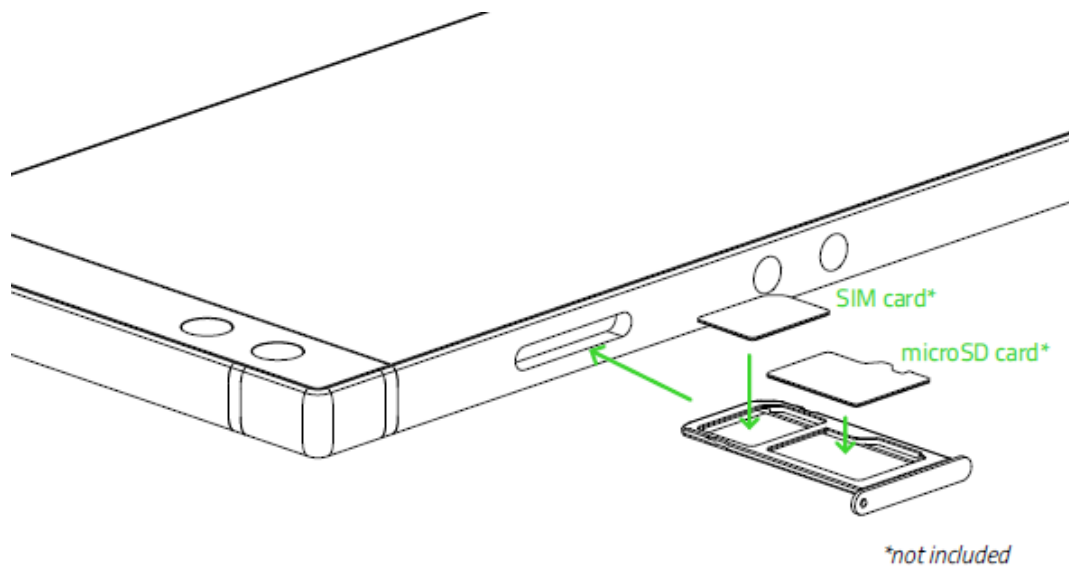
5. SETTING UP YOUR RAZER PHONE 2

INSTALLING A SIM CARD / MICROSD CARD

1. Insert your SIM eject pin. Place your SIM card in the tray that pops out.



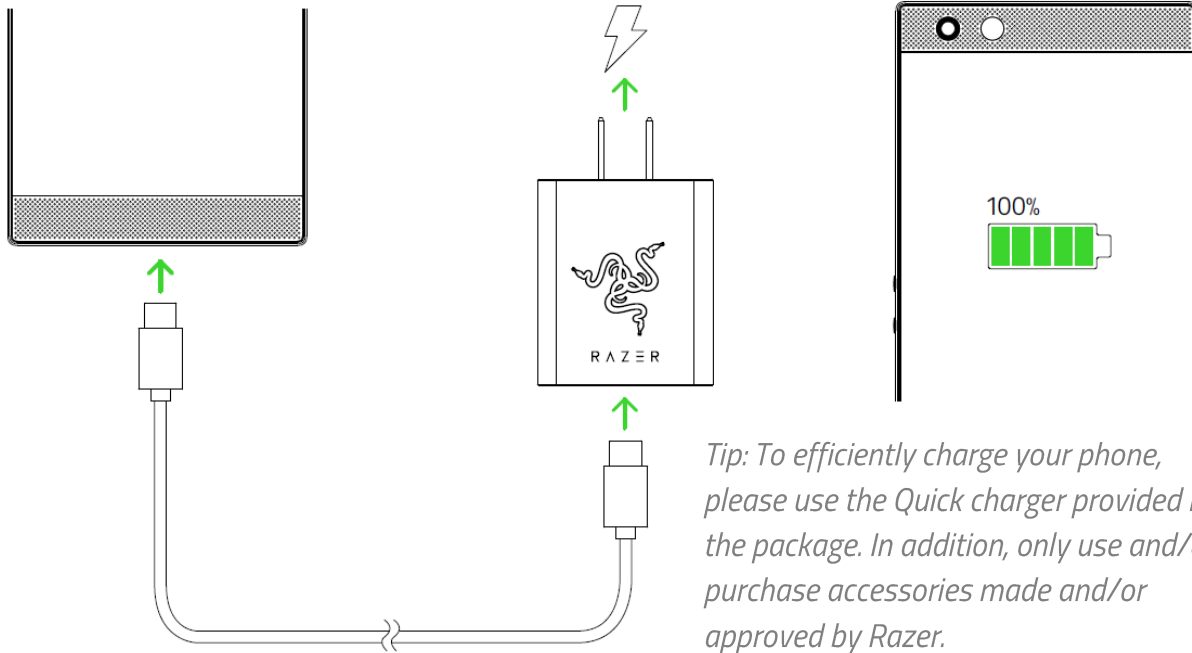
2. If you have a microSD card, place it in its allocated slot.



Note: Depending on your carrier, your phone may come with a pre-installed SIM card. If you plan to use a microSD card, it's better if you'd use a Class 10 microSD card variant (up to 2TB).

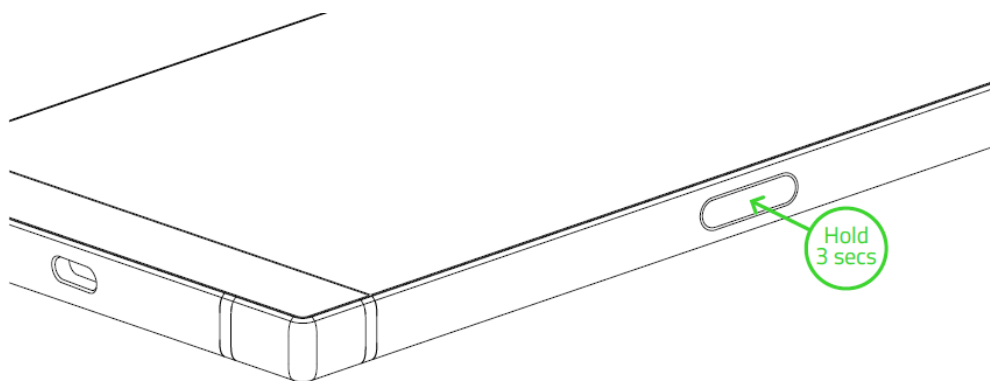
CHARGING YOUR RAZER PHONE 2

Connect the Quick Charger to your Razer Phone 2, plug it in, and wait for it to fully charge. Unplug the Quick Charger from your phone and the power outlet after charging.



POWERING IT ON / OFF

- To power on your phone, press and hold the power key until your Razer Phone 2 powers on.
- To power it off, press and hold the power key until the Power options menu shows onscreen, and then tap **Power off** to turn off your device.



SETTING UP FOR FIRST USE

On its first use, the Razer Phone 2 will prompt you a Welcome screen which allows you to proceed with the setup wizard and/or even customize your phone's basic vision accessibility settings.

Follow the onscreen instructions from choosing your phone's default language, accepting Razer's Terms and Conditions, selecting whether your phone will connect to a wireless or data network, copying data from a mobile device or setting it up as a new device, and setting up other related phone settings.

Note: These settings can also be customized later through your phone's Settings.

SIGNING UP FOR A RAZER ID

Get instant access to exclusive Razer benefits when you sign in your Razer ID on your phone. With Razer ID, you get to download and apply awesome phone themes from the Razer Theme Store, launch Razer apps without signing in again, and even enjoy our services on other platforms.

6. USING THE RAZER PHONE 2

DEFAULT PHONE BUTTON FUNCTIONS

- **Power Key**
 - Press to lock / unlock the phone.
 - Double press to launch the camera app from any screen.
 - Press and hold to open the Power actions menu.
- **Volume keys**
 - Increase or decrease ring, media, and alarm sounds.
 - Press any of these from the camera app to take a photo.
- **Power Key + Low volume key**
 - Press both keys simultaneously to take a screenshot.

TOUCHSCREEN ACTIONS / GESTURES

- **Tap.** Lightly tap to select an option or item, launch a chosen app, or to enter text using the virtual keyboard.
- **Double Tap.** Lightly tap twice on an image to zoom in or out on a selected area, or text to select a word.
- **Tap and Hold.** Tap and hold an item or app to open additional options for the selected item.
- **Tap and Drag.** Tap and hold an item or app, and then move your finger to drag it to the preferred location.
- **Swipe.** Lightly tap and move your finger horizontally or vertically across the screen to move through lists, scroll through webpages, browse photos, and perform other browsing navigation.
- **Pinch and Spread.** Pinch or spread two fingers to zoom out or in on an image or on other content such as maps or webpages.

LOCKING / UNLOCKING THE SCREEN

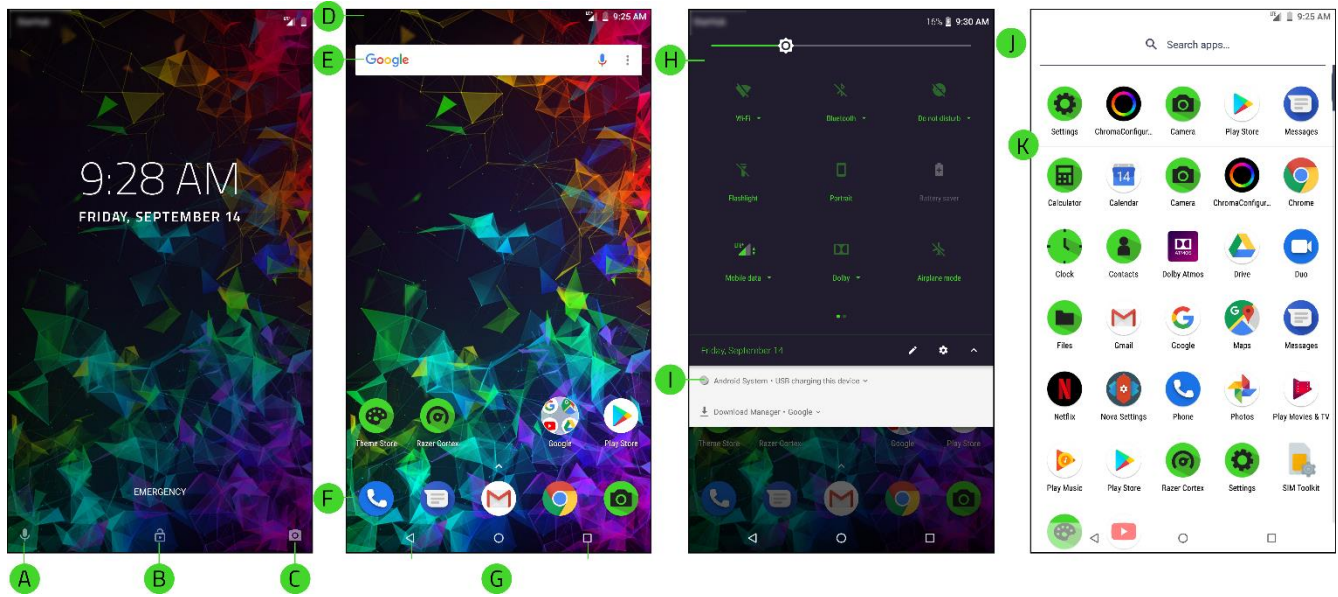
To lock the screen, simply press the power key and the screen will turn off indicating that the screen is now locked. To unlock, simply press the power key, and then swipe up.

Note: If you have already customized your lock screen's security setting, you may need to use the screen lock setting set of your phone. [Learn more about Screen Lock](#)

THE LOCK SCREEN AND DESKTOP

Lock screen

Desktop

















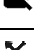




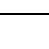

- A. Google Voice Input
- B. Unlock screen
- C. Camera
- D. Status bar
- E. Google Search widget
- F. Dock
- G. Main navigation
- H. Quick Settings
- I. Notifications pane
- J. App search
- K. Application drawer

Lock Screen


- A. **Google Voice input.** Swipe this icon upwards to activate Google Voice for hands-free accessibility.
- B. **Emergency.** Call anyone without unlocking the screen in case of an emergency.
- C. **Camera.** Swipe this icon upwards to open the camera app without unlocking the screen



Desktop

- D. **Status bar.** Displays quick information such as alerts and notifications.









	Battery status*		Hotspot is enabled
	Battery charging*		Mobile data is enabled*
	Battery saver mode		Data Saver is enabled
	Do not disturb		Bluetooth is active
	Do not disturb (Total silence)		Paired with a Bluetooth device
	Vibrate		Network signal*
	microSD card detected		No signal
	No SIM card		Location active
	Missed call		Airplane mode
	Available Wi-Fi networks		New message
	Connected to a Wi-Fi network		





*May vary according to status, location and/or the app being used.


- E. **Google Search widget.** Allows you to have immediate access to Google Search using either voice or key input.
- F. **Quick Settings.** Provides quick accessibility to essential phone settings and phone notifications. To access the Quick Settings, from the top of the screen, drag the status bar downwards. You can expand the pane by tapping  or swiping downwards again to view all accessible settings.




You may also add or remove notifications icons displayed using the Edit icon () or access the phone's settings with the Settings icon ()



By default, the following icons can be seen on the Quick Settings:

Icon	Notification	
	Wireless	<ul style="list-style-type: none"> Displays the Wi-Fi your phone is connected to. Tap to enable/disable Wi-Fi or tap Wi-Fi to show other Wi-Fi networks within range. Tap and hold to open Wi-Fi settings. <p>Learn more about Wi-Fi</p>
	Bluetooth	<ul style="list-style-type: none"> Tap to enable Bluetooth or tap Bluetooth see all devices you have paired with your phone. Tap and hold to view all available Bluetooth devices within range. <p>Learn more about Bluetooth</p>
	Do not disturb	<ul style="list-style-type: none"> Displays the Do not disturb option mode being used. Tap to enable or disable the selected Do not disturb option mode or tap Do not disturb to show other modes available. Tap and hold to open the Do not disturb preferences. <p>Learn more about Do not disturb</p>
	Flashlight	Tap to toggle the flashlight on or off.
	Auto-rotate	<ul style="list-style-type: none"> Tap to toggle your phone screen's orientation between Auto-rotate and Portrait mode. Tap and hold to open the Display settings. <p>Learn more about Display</p>
	Battery saver	<ul style="list-style-type: none"> Tap to enable Battery saver mode. Tap and hold to open Battery settings. <p>Learn more about Battery settings</p>
	Mobile Data	<ul style="list-style-type: none"> Shows the SIM card's service provider name. Tap to access your phone's Data usage settings. <p>Learn more about Data usage</p>
	Dolby Atmos®	<ul style="list-style-type: none"> Tap to enable or disable Dolby Atmos® or tap Dolby to select a Dolby Atmos® preset.

		<ul style="list-style-type: none"> ▪ Tap and hold to open the Dolby Atmos® app. Learn more about Dolby Atmos®
	Airplane Mode	<ul style="list-style-type: none"> ▪ Tap to toggle Airplane mode on or off. ▪ Tap and hold to access the Network & Internet settings. Learn more about Network & Internet settings
	Cast	<ul style="list-style-type: none"> ▪ Tap to cast your phone's screen on compatible device. ▪ Tap and hold to open the Cast settings
	Hotspot	<ul style="list-style-type: none"> ▪ Tap to toggle the Hotspot feature on or off. ▪ Tap and hold to open the Hotspot and Tethering settings. Learn more about Hotspot
	Data Saver	<ul style="list-style-type: none"> ▪ Tap to toggle the Data Saver function on or off. This will prevent the apps you have identified to send and/or receive data in background while enabled. ▪ Tap to access your phone's Data usage settings. Learn more about Data usage

Tap on the  to add other options to the Quick Settings:

Icon	Notification	
	Location	<ul style="list-style-type: none"> ▪ Tap to toggle the Location function on or off. ▪ Tap and hold to open the Location settings. Learn more about Location
	Invert colors	<ul style="list-style-type: none"> ▪ Tap to toggle between normal and inverted color mode. ▪ Tap and hold to open Accessibility settings. Learn more about Accessibility
	Night Light	<ul style="list-style-type: none"> ▪ Tap to toggle Night Light on or off. ▪ Tap and hold to open the Night Light settings. Learn more about Night light

	NFC	<ul style="list-style-type: none"> ▪ Tap to enable or disable the NFC (Near Field Communication) of your phone. ▪ Tap and hold to open the Connected devices settings. <p>Learn more about Connected devices</p>
	Google Nearby	<p>Tap to access the Google Nearby app.</p> <p>Learn more about Google Nearby</p>

G. Dock. Use the Dock for immediate accessibility over the applications you commonly use. Depending on the docked app, you may long press on a docked app to do any of the following:

- **✕ Remove.** Remove an app shortcut from the dock.
- **⚙ Add Widget.** Add the docked app's widget (if available) to your Desktop.
- **ⓘ App Info.** View an app's info.
- **✎ Edit Shortcut.** Edit app shortcut properties such as its label and swipe action.
- **Other actions.** Some apps offer an extended action (e.g. new conversations for messages, etc.).

H. Home navigation. Primary navigation across all apps.

- **◀ Return.** Returns to the previously opened screen or hides active windows.
- **○ Home.** Tap to go back to the Desktop. Tap and hold this button to open Google Assistant.
- **□ Used apps.** Display all recently opened applications. You may close all opened apps by tapping on **CLEAR ALL** or open apps in split view by tapping on an app in the list and dragging it upwards. You may also close a specific app by tapping the corresponding **✕** icon of the app.

I. Applications Drawer. Display all applications installed on your phone. To access the Applications menu, from the Dock, simply swipe upwards. Aside from tapping an icon to launch an app, you may also tap and hold on an app to open other app options and actions.

ENTERING CHARACTERS OR TEXT

The Gboard keyboard will automatically open whenever tapping on any input / text field. [Learn more about the Gboard](#)

7. CONFIGURING YOUR PHONE

CUSTOMIZING THE DESKTOP

App Shortcuts

Adding / Removing app shortcuts

Make your most used apps immediately accessible by adding these as app shortcuts in your Desktop.

- To add new app shortcuts to the Desktop, simply tap and hold any app on the application drawer then drag it to the preferred Desktop area.
- To remove an application shortcut, tap and hold an app shortcut and then tap ✕.

Grouping app shortcuts

To group multiple app shortcuts in a single folder on the Desktop, tap and drag the app shortcut to the app shortcut you want to group it with. Tap the Unnamed Folder, and then tap its name to assign a new name.


Changing the Wallpaper

Customize the look of your phone with presets or your custom wallpaper.

1. Tap and hold anywhere on the Desktop, and then tap **Wallpapers**.
2. Select the preferred source of the image to be used as wallpaper.
3. Select whether the wallpaper will appear at the center, left, or right edges.
4. Tap **Set Wallpaper**, and then tap the screens you want it to be applied to. [Learn more about Wallpapers](#)

Using Widgets

Widgets are smaller versions of the applications you commonly use on your phone which you can add in to your Desktop for quick function accessibility.

1. Tap and hold on the Desktop and then tap Widgets ().
2. Tap and hold on the preferred widget, and then drag it to the desired location.

Nova Launcher Settings

The Razer Phone 2 uses the Nova Launcher as its default launcher ([learn more about Nova Launcher](#)). The Nova Launcher's settings can be accessed when you long tap on the Desktop and then tap **Settings**, or by launching the Nova Settings app from the Applications drawer.

EXPLORING YOUR PHONE'S SETTINGS

Accessible from the applications drawer, the Settings app enables you to customize and control your phone's overall properties.

Network & Internet

Manage and configure various network and connectivity settings

Wi-Fi

Connect your phone to a wireless network within the area.

Connecting to a wireless network

To connect your phone to a wireless network:

1. From the Desktop, swipe up to show the Applications drawer, and then go to **Settings > Network & Internet > Wi-Fi**.
2. Toggle **Wi-Fi** on. The phone will automatically start scanning for wireless networks within the area. To refresh the list, simply swipe downwards.

Note: You may also access the Wi-Fi settings page through the Quick Settings. Tap and hold the Wi-Fi icon on the Quick Settings to have your phone scanning for available wireless networks.

3. Tap the wireless network you want to connect to then enter the required password (if any).

Note: Once connected, your phone would automatically connect to the wireless network whenever the phone's Wi-Fi is on and the wireless network is within reach.

Manually connecting to a wireless network

If you want to manually connect your phone to a hidden wireless network:

1. From the Desktop, swipe up to show the Applications drawer, and then go to **Settings > Network & Internet > Wi-Fi**.
2. Toggle **Wi-Fi** on.
3. At the bottom of the scanned wireless networks list, tap **+ Add network**, and then enter the required details needed.

Note: This can also be done under Network & Internet > Wi-Fi > Saved networks > Add network.

Wi-Fi Preferences


Enable public network availability notification, install certificates, use various Wi-Fi features, and view other network properties such as MAC and IP addresses.

Network notifications

You may opt to toggle on the network notification option to enable notifications when a high-quality public network is available.

Installing certificates

There are instances wherein some apps or wireless networks may require your phone to install specific certificates before you'll be able to use them. Most of these are automatically installed in your phone. However, just in case you may have to manually install one:

1. From the Desktop, swipe up to show the Applications drawer, and then go to **Settings > Network & Internet > Wi-Fi > Wi-Fi Preferences > Advanced.**
2. Tap **Install certificates.**
3. Tap the sidebar () and locate the certificate you have downloaded and install.
4. Change the credentials of the certificate as needed, and then tap OK.

Using Wi-Fi Direct

Connect your phone directly to a Wi-Fi direct capable device through wireless connectivity. Use this feature to share contacts and files to other devices.

1. From the Desktop, swipe upwards to show the Applications drawer, tap **Settings** and then go to **Network & Internet > Wi-Fi > Wi-Fi Preferences > Advanced.**
2. Tap **Wi-Fi Direct.**
3. Select the device that you want to connect to on the list to send a Wi-Fi Direct invite.
4. Confirm the invite on the other device. Your device is now connected to your phone through Wi-Fi direct.

Note: To disconnect a device, tap the connected device from the list and then confirm.

Connecting to a wireless network using the WPS

Wi-Fi Protected Setup (WPS) allows you to connect to a WPS-enabled device with a push of a button. You may use the WPS Push Button or WPS PIN Entry feature of your phone to connect to your WPS-enabled router.

To use WPS Push Button

1. On your WPS-enabled router, press the WPS button, this will initiate the WPS setup.
Note: Refer to the user manual of your wireless router when using its WPS feature.
2. From the Desktop, swipe up to show the Applications drawer, and then go to **Settings > Network & Internet > Wi-Fi > Wi-Fi Preferences > Advanced**
3. Tap **WPS Push Button**. Your phone will automatically connect with the WPS-enabled router.

Note: Please make sure to complete the setup within two minutes. Otherwise, you may have to restart the pairing process again.

To use WPS PIN Entry

1. Access the Web User Interface (UI) of your WPS-enabled router and navigate to WPS page.
Note: Refer to the user manual of your wireless router when using its WPS feature.
2. From the Desktop, swipe up to show the Applications drawer, and then go to **Settings > Network & Internet > Wi-Fi > Wi-Fi Preferences > Advanced**
3. Tap **WPS PIN Entry** and your phone will generate a WPS PIN.
4. On your router's WPS page, enter the WPS PIN generated by the phone on the WPS PIN field. Your phone will automatically connect with the WPS-enabled router.

Note: Please make sure to complete the setup within two minutes. Otherwise, a new WPS PIN on your phone must be generated.

Mobile network

Manage your phone's data service and settings. To access the Mobile network settings, from the Desktop, swipe up to show the Applications drawer, and then go to **Settings > Network & Internet > Mobile network**.

You may then choose to configure any of the provided settings below:

- **Mobile data.** Toggle mobile data on or off.
- **Roaming.** Toggle data roaming on or off when your device is on a different network.
- **Preferred network type.** Choose a specific mobile network type your phone would use.
- **Access Point Names.** Select or add APNs.
- **Automatically select network.** Set the phone to automatically select the network of the inserted SIM card.
- **Network.** View available network operators.

Data Usage

Monitor and set data usage restrictions across all applications, as well as set necessary notifications or warnings when your preferred data limit has been reached.

Setting a data usage warning


You may set a data limit warning to help you avoid excessive data usage.

1. From the Desktop, swipe up to show the Applications drawer, and then go to **Settings > Network & Internet > Data usage**.
2. Tap the **Usage** bar and then enter the desired data usage limit. You may change the unit to Mbyte or Gbyte depending on the size of the desired limit.
3. Tap **SET** to save the new Data warning limit.

Using the Data saver

Reduce overall data usage by preventing the apps you have set to sending and/or receiving data in background.

1. From the Desktop, swipe up to show the Applications drawer, and then go to **Settings > Network & Internet > Data usage**.
2. Tap **Data saver** and toggle it on.
3. Tap **Unrestricted data**, and toggle on the applications which you want to have restricted data access.

Note: You may also include system apps on the list by simply tapping on  , and then tapping on Show system.

Enabling Mobile data

1. From the Desktop, swipe up to show the Applications drawer, and then go to **Settings > Network & Internet > Data usage**.
2. Tap **Mobile data** to toggle cellular data on.

Note: You may also use the Quick Settings to enable your phone's cellular data.

Checking an app's data usage (Mobile & Wi-Fi)

To see or monitor how much data each app is using:

1. From the Desktop, swipe up to show the Applications drawer, and then go to **Settings > Network & Internet > Data usage**.
2. Select whether you want to see **Wi-Fi data usage** or **Mobile data usage**.

3. Check the list for the app that you want to monitor. An overview of how much data each app is using can be seen, while in-depth usage can be seen when you tap on an app.

Customizing the Data usage warning

You may customize the data usage warning according to your plan's billing cycle. From the Desktop, swipe up to show the Applications drawer, and then tap **Settings > Network & Internet > Data usage > Billing cycle**. Listed below are the properties you can customize:

- **Billing cycle.** Set the specific date in each month wherein the data usage counter will reset.
- **Set data warning.** Toggle the data warning on or off. Enabling the data warning will allow you to set how much data to be consumed before the data warning usage appears.
- **Data warning.** Set the amount of data needed for the data warning to trigger.
- **Set data limit.** Automatically turn off cellular data once it reaches the set amount of data.
- **Data limit.** Set the amount of data needed for the data limit to trigger.

Hotspot & Tethering

Utilize the tethering and wireless hotspot options of your phone. From the Desktop, swipe up to show the Applications drawer, and then go to **Settings > Network & Internet > Hotspot & Tethering**.

Note: Using any of these features may significantly affect overall battery usage.

- **USB tethering.** Share your phone's internet connection to a connected USB host.
- **Wi-Fi hotspot.** Share your phone's internet connection by making your phone into a Wi-Fi hotspot. The Wi-Fi hotspot's settings can be modified through the **Set up Wi-Fi Hotspot** option.
- **Bluetooth tethering.** Share your phone's internet connection via Bluetooth.

VPN


Set up, connect, and/or manage your own VPNs (Virtual Private Networks).

Note: A lock screen pin or password is required before you can use this feature.

To add a VPN profile:

1. From the Desktop, swipe up to show the Applications drawer, tap **Settings**, and then go to **Network & Internet >VPN**.
4. Tap the **+** button, and then correctly enter the needed details on the Edit VPN profile fields provided. The new profile will be added into the VPN list.

To edit a VPN profile:

1. From the Desktop, swipe up to show the Applications drawer, tap **Settings**, and then go to **Network & Internet >VPN**.
5. Tap the corresponding settings icon () of the VPN profile that you want to edit, and then change the fields needed.
6. Tap **Save** to apply the changes or **Forget** to delete the VPN profile.

To connect or disconnect from a VPN profile

1. From the Desktop, swipe up to show the Applications drawer, tap **Settings**, and then go to **Network & Internet >VPN**.
2. Tap the **VPN profile** you want to connect to and then enter the needed details.
3. Tap **Connect**.

Note: To disconnect from the VPN, tap the active VPN profile and then tap Disconnect.

Airplane Mode

Use Airplane mode to disable all connectivity functions on your phone such as Wi-Fi, network data, and Bluetooth. To toggle Airplane mode on or off, you can either do any of the following:

- From the Desktop, swipe up to show the Applications drawer, and then go to **Settings > Network & Internet > Airplane mode**.
- From the Desktop, fully expand the Quick Settings, and then tap **Airplane mode**.

Connected Devices

Manage your phone's features in connecting with other devices.

Bluetooth

Securely pair your phone with a Bluetooth device.

Configuring the Bluetooth settings

Securely pair your phone with a nearby Bluetooth device.

1. From the Desktop, swipe up to show the Applications drawer, and then go to **Settings > Connected devices > Bluetooth**.
2. Toggle Bluetooth on to do any of the following:
 - **Pair new device.** Scan for available Bluetooth devices you can pair with.
 - **Device name.** Rename the phone's displayed Bluetooth device name.
 - **Received files.** Open the folder of all the files your phone has received via Bluetooth.
 - **Phone's Bluetooth address.** View the Bluetooth's MAC address.

Pairing your phone with a Bluetooth device

To pair your phone with a Bluetooth-enabled device:

1. Enable the Bluetooth device that you want to pair with your phone.

Note: Remember the Bluetooth name of the device you want to pair with your phone and make sure that the device is discoverable / visible to other Bluetooth devices.
2. From the Desktop, swipe up to show the Applications drawer, tap **Settings**, and then go to **Connected devices > Bluetooth**.


Note: You may also access the Bluetooth settings page through the Quick Settings. Simply long tap on the Bluetooth icon from the Quick Settings to open your phone's Bluetooth settings.
3. Tap **Pair new device** and then tap the device that you want to pair your phone with and confirm that you want to pair your phone with the selected device.

Note: Some devices may require a Bluetooth pairing code which you may have to confirm on both devices.
4. The device will automatically pair and added to the **Paired devices** list.

Note: If the device you paired with is nearby and discoverable, and your phone's Bluetooth is enabled, your devices would automatically pair with each other and/or will be readily accessible.

Changing Bluetooth device permissions

Once you have paired a Bluetooth device with your phone, you may change the usage permissions of the paired device.

1. On the **Bluetooth > Paired devices** list, tap the corresponding  icon of the device that you want to have the usage permissions changed.
2. Tap any of the usages that you want the paired device to be used for. Do take note that the usages listed below may vary for each device:
 - **Contact sharing.** Share phone contacts with the Bluetooth device.
 - **Internet access.** Use the connected Bluetooth device for internet connectivity.
 - **Media audio.** Use the connected Bluetooth device for media audio.
 - **Phone audio.** Use the connected Bluetooth device for phone calls.


Disconnecting a Bluetooth device

To disconnect a Bluetooth device from your phone:

1. On the **Bluetooth > Paired devices** list, tap the connected Bluetooth device that you want to disconnect from your phone.
2. Tap **OK** on the Disconnect prompt to confirm. The device will disconnect from your phone.

Forgetting a Bluetooth device

To remove a Bluetooth device from the paired devices list:

1. On the **Bluetooth > Paired devices** list, tap the corresponding  icon of the device that you want to unpair with your phone.
2. Tap **Forget** to remove the device from the list.

Note: You would need to pair your phone again with Bluetooth device if you want to connect your devices again.

Cast

Mirror your phone's display on wireless projection capable devices. Do take note that experience may vary from one screen to another, as some devices aren't specifically designed for casting.

1. Make sure that your phone and the device you will mirror to are connected to the same network.

2. From the Desktop, swipe up to show the Applications drawer, and then go to **Settings > Connected devices > Cast**.
3. On the list of available devices, select your device from the list and wait for your phone to mirror its screen on the selected device.

NFC

Enable or disable NFC (Near Field Communication) to exchange data with other NFC capable devices upon contact.

Android Beam

Beam app content such as browser pages, videos, contacts and more to other NFC-capable devices by holding your phone close together with the device.

Printing

Manage your phone's printing options.

USB

Change your phone's USB function when connected to a USB host device via USB cable to any of the following functions:

- **Charge this device.** Only charges your phone when connected to a USB host.
- **Supply power.** Charge a connected USB host device.
WARNING: This function will only work on devices that support USB Charging.
- **Transfer files.** Transfer files to and from a USB host device. Your phone's internal and external storage will be accessible to the host device.
- **Transfer photos.** Transfer photos to and from the USB host device and vice versa. Only the image folders in your phone's internal and external storage will be accessible to the host device.
- **MIDI.** A function for USB-based external MIDI devices.

Apps & notifications

Individually manage the notifications provided by each app.

App info

View, disable, manage, or set default applications installed in your phone.

1. From the Desktop, swipe up to show the Applications drawer, and then go to **Settings > Apps & Notifications**.
2. Select any of the recently opened apps or see all apps installed in your phone. You may then view, change, or use the following options or settings below:
 - **Uninstall/Disable.** Uninstall or disable an app. You may only disable pre-loaded applications.
 - **Force stop.** Stop the operation of the selected app. This is useful when an app is misbehaving and/or if you want to restart the selected app.
 - **App notifications.** Manage the behavior of the selected app's notifications.
 - **Permissions.** Allow or deny access permissions to phone features or data.
 - **Storage.** View and manage the storage consumption of a selected app.
 - **Data usage.** View and manage the data usage of a selected app.
 - **Battery.** Displays the battery usage of the selected app.
 - **Open by default.** Set this app as the default app when supported links are tapped.

Note: Advanced app settings may vary for each app.

Notifications

Configuring each app's notifications

1. From the Desktop, swipe up to show the Applications drawer, and then go to **Settings > Apps & Notifications > Notifications**.
2. Tap the app that you want to customize. You may configure any of the following:
 - **On.** Enable or disable all notifications from this app.
 - **Allow notification dot.** Enable or disable notification dot display on the app's icon.
 - **Categories.** Toggle on/off or configure other available services within the app which show notifications. Categories may vary for each app.

Configuring lock screen notifications

Change how notifications are displayed on the lock screen.

1. From the Desktop, swipe up to show the Applications drawer, and then go to **Settings > Apps & Notifications > Notifications**.
2. Tap **On the lock screen** and then select any of the following options:
 - **Show all notification content.** Display all notification contents.
 - **Hide sensitive notification content.** Hide all notification contents.
 - **Don't show notifications at all.** Disable all notifications.

Other Notifications properties

Disable notification dots for all apps and/or set a default notification sound.

1. From the Desktop, swipe up to show the Applications drawer, and then go to **Settings > Apps & Notifications > Notifications**.
2. Toggle **Allow notification dots** on or off to show or hide notification dots on app icons.
3. Tap **Default notification sound** to change the default tone used for all notifications.

App permissions

Control which apps are permitted to access your phone's location, microphone, and camera.

1. From the Desktop, swipe up to show the Applications drawer, and then go to **Settings > Apps & Notifications > App permissions**.
2. Select the phone feature / hardware where you want to configure app permissions.
3. Toggle the preferred applications off to deny access permission to the selected app.

Emergency alerts

Control which alerts your phone can receive and customize other alert preferences.

1. From the Desktop, swipe up to show the Applications drawer, and then go to **Settings > Apps & Notifications > Emergency alerts**.
2. On the **Alerts** section, you may tap on any of the options below to do following:
 - **AMBER alerts.** Enable or disable child abduction emergency bulletins.
 - **Extreme threats.** Enable or disable major threats to life and property alerts.
 - **Severe threats.** Enable or disable severe threats to life and property alerts.

- **Emergency alert history.** View active alerts in your area.
3. On the **Alerts preferences** section, you may tap on any of the options below to do following:
- **Vibrate.** Toggle phone vibration on/off when receiving alerts.
 - **Alert reminder sound.** Disable alert reminders or change how often a received alert will remind you.

Special app access

Control how each or all apps can access your phone's features, hardware, and/or data. To access this area, from the Desktop, swipe up to show the Applications drawer, and then go to **Settings > Apps & Notifications > Special app access**. You may then customize each app access below:

- **Battery optimization.** Optimize apps to optimize battery usage.
- **Device admin apps.** View or deactivate apps on your phone that have device administrator privileges.
- **Do Not Disturb access.** Exclude apps from Do Not Disturb setting and allow these apps to make changes to related settings.
- **Display over other apps.** Enable an app to run over other apps.
- **VR helper services.** Enable an app to run in virtual reality mode.
- **Modify system settings.** Allow an app to modify system settings.
- **Notification access.** Allow an app to show notifications.
- **Picture-in-picture.** Enable an app to create a Picture-in-picture window while the app is open or after leaving it, allowing the app's window to display on top of other apps as you use it.
- **Premium SMS access.** Permit an app to have access on SMS.
- **Unrestricted data.** Enable an app to have full access on network data even with Data Saver active.
- **Usage access.** Allow an app to track what apps you're using and how often.
- **Install unknown apps.** Set an app as a trusted source when installing unknown apps.

Battery

Monitor and manage the battery consumption of each application used since the phone has been fully charged. Tap the battery graph for an in-depth breakdown of its battery consumption.

Enabling battery saver

Battery saver is designed to automatically reduce the performance, background data, and other services when your phone's battery has reached the selected percentage.

1. From the Desktop, swipe up to show the Applications drawer, and then go to **Settings > Battery > Battery saver**.
2. Toggle **Battery saver** on. This can also be done through the Quick Settings.
3. Tap **Turn on automatically** and select the preferred battery level percentage for the Battery saver to turn on.

Other Power management settings

From the Battery settings you may also use any of following Power management features below:

- **Battery percentage.** Toggle battery percentage on the status bar on or off.
- **Adaptive brightness.** Optimize the phone screen's brightness according to the available light on your surroundings.
- **Sleep.** Personalize the amount of time needed for the screen display to turn off.
- **Ambient display.** Wake your phone's screen behavior when receiving notifications or when being lifted.
- **App usage.** Monitor overall app usage and battery consumption since your phone was last fully charged.

Display

Modify your phone's display settings such as its brightness level, nightlight, wallpaper, font size and other display related settings.

Brightness level

Change the screen's brightness level.

1. From the Desktop, swipe up to show the Applications drawer, and then go to **Settings > Display**.
2. Tap the **Brightness level** to display the luminance slider and increase or decrease the screen brightness as preferred.

Night light

Tint the phone screen in amber, making it easier to read in dim light.

1. From the Desktop, swipe up to show the Applications drawer, and then go to **Settings > Display > Night light**.
2. Change any of the Night Light's properties listed below:
 - **Schedule.** Set it to turn on using your custom time or when from sunset to sunrise.
 - **Status.** Toggle the Night light on or off using the selected schedule (if any).
 - **Intensity.** Adjust the strength of the Night light tint.

Refresh rate

Change the screen display's refresh rate.

1. From the Desktop, swipe up to show the Applications drawer, and then go to **Settings > Display**.
2. Tap **Refresh rate** and then select the desired refresh rate from the options provided.

Adaptive brightness

Optimize the brightness level according to the available light of your surroundings.

1. From the Desktop, swipe up to show the Applications drawer, and then go to **Settings > Display**.
2. Toggle **Adaptive brightness** on to automatically optimize your screen's brightness level according to the available lighting.

Sunlight Readability

Improve text visibility under direct sunlight.

1. From the Desktop, swipe up to show the Applications drawer, and then go to **Settings > Display > Advanced**.
2. Toggle **Sunlight Readability** on, to enable the automatic adjustment of text contrast when under direct sunlight.

Wallpaper

Change the wallpaper of the phone's lock and Desktop.

1. From the Desktop, swipe up to show the Applications drawer, and then go to **Settings > Display > Advanced > Wallpaper**.
2. Select the preferred app source of the image to be used as wallpaper, and then select the image to be used.
3. Tap **Set Wallpaper** to use the selected image as your wallpaper.

Sleep

Personalize the amount of time needed for the screen display to turn off.

1. From the Desktop, swipe up to show the Applications drawer, and then go to **Settings > Display > Advanced**.
2. Tap **Sleep** and then select the preferred time of inactivity before the screen will turn off.

Auto-rotate screen

Enable or disable automatic screen rotation according to your phone's screen orientation.

1. From the Desktop, swipe up to show the Applications drawer, and then go to **Settings > Display > Advanced**.
2. Toggle **Auto-rotate screen** on.

Colors

Change how the screen's color will be displayed.

1. From the Desktop, swipe up to show the Applications drawer, and then go to **Settings > Display > Advanced**.
2. Tap **Colors** and then select any of the provided color options:

- **Natural.** The screen color's default setting.
- **Boosted.** Slightly increases the saturation of the screen color.
- **Vivid.** Optimizes the saturation of the screen color.




Font Size, Display Size, & Display Resolution

Make the items and text on the screen smaller or larger.

1. From the Desktop, swipe up to show the Applications drawer, and then go to **Settings > Display > Advanced**.
2. Tap the display setting that you want to customize.
3. Adjust the slider to increase or decrease the size of text, display size, or screen resolution.

Screen saver

Customize the screen display when the phone is docked and/or charging.

1. From the Desktop, swipe up to show the Applications drawer, and then go to **Settings > Display > Advanced > Screen saver**.
2. Tap **Current screen saver** to select a screen saver mode from any of the options below:
 - **Clock.** Display an analog or digital clock. Tap the  icon to select which clock type to be displayed and if Night Light will be used.
 - **Colors.** Display a spectrum of changing colors.
 - **Photo Frame.** Display pictures in a photo frame. Tap the  icon to select which image folders will be included.
 - **Photo table.** Display pictures in a photo table. Tap the  icon to select which image folders will be included.
 - **Photos.** Display pictures from your device or from your Google account, and customize the effects and network data to be used.
3. Tap **When to start** to select the required connection when the selected screen saver display.

Ambient display

Toggle if the screen will wake when receiving notifications on or off.

1. From the Desktop, swipe up to show the Applications drawer, and then go to **Settings > Display > Ambient display**.

2. Toggle the ambient display on to wake the screen automatically when notifications are received.

Tap to wake & Tap to sleep

Enable or disable screen display wake or sleep when double tapping anywhere on the screen.

1. From the Desktop, swipe up to show the Applications drawer, and then go to **Settings > Display**.
2. Toggle the **Tap to Wake** and/or **Tap to sleep** options on / off.

Sound

Adjust system volume and set the ringtones and other sounds for your phone.

Dolby Atmos®

Launches the Dolby Atmos® app. [Learn more about Dolby Atmos®](#)

System volume and vibration

1. From the Desktop, swipe up to show the Applications drawer, and then go to **Settings > Sound**.
2. Use the sliders for Media, Alarm, and Ring volume to individually adjust each setting as preferred.
3. You may also toggle the **Also vibrate for calls** to enable vibration for phone calls.

Do not disturb preferences

Mute or allow specific notifications and other alerts according to your preferred time or schedule.

Configuring the Priority Only mode

1. From the Desktop, swipe up to show the Applications drawer, and then go to **Settings > Sound > Do Not Disturb preferences**.
2. Tap **Priority only allows**.
3. Toggle on the settings which you want the Priority Only mode to allow.
4. Set which contacts can send you messages or phone calls.

Note: you may also toggle the Repeat callers on to enable your contacts to call you within the 15-minute period.

Blocking visual disturbances

Enable or disable notifications silenced by Do not disturb from peeking or popping onscreen or waking the screen.

1. From the Desktop, swipe up to show the Applications drawer, and then go to **Settings > Sound > Do Not Disturb preferences**.
2. Enable or disable any of the preferred **Block when screen is on/off** settings.

Customizing ringtones, sounds, and vibrations

Change the system ringtones, sounds, and other vibration settings.

1. From the Desktop, swipe up to show the Applications drawer, and then go to **Settings > Sound**.
2. Select your preferred ringtone for any of the following sound settings:
 - **Phone ringtone.** Default ringtone for phone calls.
 - **Default Notification sound.** Default ringtone for all notifications.
 - **Default alarm sound.** Default ringtone for all alarms.
3. Tap **OK** to apply.
4. From here, you may also change any of the following settings:
 - Dial pad tones
 - Screen locking sounds
 - Charging sounds
 - Touch sounds
 - Vibrate on tap

Emergency alerts

Control which alerts your phone can receive and customize other alert preferences.

1. From the Desktop, swipe up to show the Applications drawer, and then go to **Settings > Sound > Emergency alerts**.
2. On the **Alerts** section, you may tap on any of the options below to do following:
 - **AMBER alerts.** Enable or disable child abduction alerts.
 - **Extreme threats.** Enable or disable major threats to life and property alerts.
 - **Severe threats.** Enable or disable severe threats to life and property alerts.
 - **Emergency alert history.** View active alerts in your area.
3. On the **Alerts preferences** section, you may tap on any of the options below to do following:
 - **Vibrate.** Toggle phone vibration on/off when receiving alerts.
 - **Alert reminder sound.** Disable alert reminders or change how often a received alert will remind you.

Storage

View and manage the internal and portable storages of your phone.

Enabling Storage manager

Automatically remove photos and videos from your device depending on how long these have been stored on your phone.

1. From the Desktop, swipe up to show the Applications drawer, and then go to **Settings > Storage**.
2. You may toggle the **Storage manager** on/off or tap **Storage manager** to change the required number of days before a photo or video will be deleted.

Viewing the content of your portable storage

Access and manage the contents of the microSD card installed on your phone.

1. From the Desktop, swipe up to show the Applications drawer, and then go to **Settings > Storage**.
2. Tap the portable storage list

Ejecting / Mounting a microSD card

Before removing a microSD card from the phone, it is strongly recommended to eject / unmount it first to avoid corrupting the portable storage.

1. From the Desktop, swipe up to show the Applications drawer, and then go to **Settings > Storage**.
2. Tap the ▲ icon of the **Portable storage** to eject it.

Note: To mount the storage again, simply tap the detected portable storage, and then tap Mount.

3. Remove the microSD card from the SIM card slot.

Security & location

Set the security and location settings of your phone.

Google security status

Use Google services in securing your device.

- **Google Play Protect.** Regularly checks your phone and apps for harmful behavior. [Learn more about Google Play Protect](#)
- **Find My Device.** Enables you to locate your phone remotely and secure your data if you lost your phone. [Learn more about Find My Device](#)


Device security

Setting a screen lock

Set a screen lock for your phone.

1. From the Desktop, swipe up to show the Applications drawer, and then go to **Settings > Security & Location**.
2. Tap **Screen lock**, and then select the preferred screen lock mode:
 - **None.** Removes the screen lock
 - **Swipe.** Unlock the screen by swiping.
 - **Pattern.** Unlock the screen through a pattern you have registered.
 - **PIN.** Use a PIN to unlock the screen.
 - **Password.** Use your preferred password to unlock the screen.

Once you have already set a screen lock for your phone, you may configure other screen lock settings by doing the following:

1. From the Desktop, swipe up to show the Applications drawer, and then go to **Settings > Security & Location**.
2. Tap the  of the **Screen lock**, and configure any of the following options:
 - **Automatically lock.** Set the needed time for the screen lock to activate.
 - **Power button instantly locks.** Allow the power key button to lock your screen.
 - **Lock screen message.** Set a lock screen message.

3. You may now also customize **Lock screen preferences** as seen below:

- **On the lock screen.** Enable, hide notification content, or disable notifications on the lock screen.
- **Lock screen message.** Set a lock screen message.

Setting a Fingerprint lock

You may also register your fingerprint and use it to unlock your phone, sign in to apps, and other security purposes.

1. From the Desktop, swipe up to show the Applications drawer, and then go to **Settings > Security & Location**.
2. Tap **Fingerprint**, and then follow the onscreen instructions in registering your fingerprint.

Using the smart lock settings

Once you have set a screen lock for your phone, you may use other phone features to conveniently unlock your phone when needed.

1. From the Desktop, swipe up to show the Applications drawer, and then go to **Settings > Security & Location**.
2. Enter your **device PIN**. You may use any of the following smart lock features below:
 - **On-body detection.** Once unlocked, the phone will stay unlocked when it is in motion and will automatically lock once set down.
 - **Trusted places.** Use a home address or location you have set to automatically unlock the phone.
 - **Trusted devices.** Add devices which will automatically unlock the phone when nearby.
 - **Voice Match.** Use the phone's voice recognition to unlock the device.

Privacy

Change location properties and other security settings.

Customizing Location properties

Set the mode of accuracy for the location services used by your apps.

1. From the Desktop, swipe up to show the Applications drawer, and then go to **Settings > Security & Location > Location**.
2. Tap **Mode** to select the accuracy mode of the location services
 - **High accuracy.** Use GPS, Wi-Fi, Bluetooth or cellular networks to determine location.
 - **Battery saving.** Use Wi-Fi, Bluetooth or cellular networks to determine location.
 - **Device only.** Use GPS and device sensors to determine location.
3. Tap **App-level permissions** to select which apps will have access to your phone's location.
4. Tap **Scanning** to toggle on other features which may improve the location performance further
 - **Wi-Fi scanning.** Allow system apps and services to detect Wi-Fi networks at any time.
 - **Bluetooth scanning.** Allow system apps and services to detect Bluetooth devices at any time.

Show passwords

Swiftly display the password characters as you type it.

1. From the Desktop, swipe up to show the Applications drawer, and then go to **Settings > Security & Location**.
2. Under **Privacy**, toggle **Show passwords** on or off.

Device admin apps

View or deactivate apps on your phone that have device administrator privileges.

1. From the Desktop, swipe up to show the Applications drawer, and then go to **Settings > Security & Location**.
2. Tap **Device admin apps**, and then tap the check boxes of the apps that you want to activate or deactivate.

Encryption & credentials

View and manage credentials and security certificates.

1. From the Desktop, swipe up to show the Applications drawer, and then go to **Settings > Security & Location > Encryption & credentials**.
2. Go to the Credential storage section and modify any of the following.
 - **Storage type.** Displays where all credentials are stored.
 - **Trusted credentials.** Displays all trusted certificates.
 - **User credentials.** View all credentials stored in your device.
 - **Install from storage.** Browse certificates from the microSD card.
 - **Clear credentials.** Remove all certificates.

Trust agents

View or deactivate trust agents on your phone. A screen lock is required for this feature.

1. From the Desktop, swipe up to show the Applications drawer, and then go to **Settings > Security & Location**.
2. Tap **Trust agents**, and then toggle on the trust agents that you want to enable.

Screen pinning

Pin a specific app on screen, to temporarily block access to your other apps.

1. From the Desktop, swipe up to show the Applications drawer, and then go to **Settings > Security & Location > Screen pinning**.
2. Toggle **Screen pinning** on.

*Note: If preferred, you may toggle on the **Lock device when unpinning** option to add an extra layer of security when removing a pinned app.*

Permitting usage access

See which apps monitor and track your app usage.

1. From the Desktop, swipe up to show the Applications drawer, and then go to **Settings > Security & Location**.
2. Tap **Apps with usage access**, and then tap the apps that you want to permit or deny access.

Accessibility

Modify the accessibility features of your phone designed for physical disabilities. To access the Accessibility menu, from the Desktop, swipe up to show the Applications drawer, and then go to **Settings > System > Accessibility**.

Volume key shortcut

Enable and connect an accessibility service which will be launched when you press both volume key buttons for 3 seconds.

Other Accessibility settings

- **Select to speak.** Enable spoken feedback when tapping items. [Learn more about Select to Speak](#)
- **TalkBack.** Provides spoken feedback to help visually impaired users such as describing what you touch, select, and activate. [Learn more about TalkBack](#)
- **Text-to-speech output.** Set the properties of the Text-to-speech output. [Learn more about Text-to-speech output](#)
- **Font size.** Make the screen text larger or smaller.
- **Display size.** Make the items on your screen smaller or larger.
- **Magnification.** Enable screen magnification option gestures on your phone. [Learn more about Magnification](#)
- **Color correction.** Adjust screen color for color blindness. [Learn more about Color correction](#)
- **Color inversion.** Invert the color values used by the screen. [Learn more about Color inversion](#)
- **Large mouse pointer.** Make the mouse pointer bigger when a portable mouse (not included) is connected.
- **Switch Access.** Enable people with motor impairments control your device using one or more switches to select items, scroll, enter text, and more. [Learn more about Switch Access](#)
- **Click after pointer stops moving.** Enable a connected portable mouse's pointer to click after being idle for the set amount of time. [Learn more about Dwell Timing](#)
- **Power button ends call.** [Learn more about Power button ends call](#)
- **Auto-rotate screen.** [Learn more about Auto-rotate screen](#)
- **Touch & hold delay.** Define how fast or short the delay should be before your touch is identified as a tap and hold. [Learn more about Touch & hold delay](#)
- **Mono audio.** Combine channels when playing audio.
- **Captions.** Enable and configure caption settings. [Learn more about Captions](#)

- **High contrast text.** Make text more visible and easier to read. [Learn more about High contrast text](#)

Game Booster

Fine tune your gaming experience by selecting the gaming mode best suited to your phone's current battery level or by customizing each of your favorite game's access to your phone's hardware resources.



Custom

Power Save

Performance

1. From the Desktop, swipe up to show the Applications drawer, and then go to **Settings > Game Booster**.
2. You may opt to enable the **Do Not Disturb** function to disable all notifications while in-game.
3. On the **Select Mode** options, you may select any of the following:
 - **Custom.** Customize each game's hardware resource usage. Tapping on any game listed under this mode will allow you to specifically customize its hardware resource use such as CPU usage, game resolution, frame rate, and anti-aliasing.
 - **Power Save.** Prioritize battery life by minimizing hardware performance usage.
 - **Performance.** Maximize hardware performance.

System


Modify system-oriented phone features and preferences.

Languages & input

Modify the language used and input settings of your phone.



Adding / reorganizing language preferences

Add preferred languages and reorganize language priority as needed. Language priority enables an app to determine which language will be used next if the language you are currently using is not supported by the app.

1. From the Desktop, swipe up to show the Applications drawer, and then go to **Settings > System > Languages & input > Languages**.
2. Tap **Add a language**, and then select the preferred language to be added on the list.
3. You may then reorganize the priority of the languages on the list by tapping and dragging the sidebar () of the corresponding language.

Removing languages

Remove a language from your language preferences.

1. From the Desktop, swipe up to show the Applications drawer, and then go to **Settings > Languages & input > Languages**.
2. Tap , and then tap **Remove**.
3. Tap the languages that you want to remove, and then tap the  button.

Customizing virtual keyboards

Customize the virtual keyboards enabled on your phone.

1. From the Desktop, swipe up to show the Applications drawer, and then go to **Settings > System > Languages & input**.
2. Tap **Virtual Keyboard**, and then tap the virtual keyboard that you want to customize.

Note: You may also tap Manage keyboards to enable or disable active virtual keyboards.


Customizing physical keyboards

Customize a physical keyboard connected to your phone.

1. From the Desktop, swipe up to show the Applications drawer, and then go to **Settings > System > Languages & input**.
2. Tap **Physical keyboard**, and then change any of the following settings:
 - **Show virtual keyboard**. Display the virtual keyboard even when a physical keyboard is active.
 - **Keyboard shortcuts helper**. Display the available keyboard shortcuts on screen.

Using the spell checker

Manage which language and default spell checker will be used by the phone.

1. From the Desktop, swipe up to show the Applications drawer, and then go to **Settings > System > Languages & input > Spell Checker**.
2. Tap **Languages** to select the language it will use.
3. Tap **Default spell checker** to select which spell checker it will use. You may also tap the settings button () to include contact names on its list.

Using the Personal Dictionary

Add words you commonly use to make your typing experience more efficient.

1. From the Desktop, swipe up to show the Applications drawer, and then go to **Settings > System > Languages & input**.
2. Tap **Personal Dictionary**, and then tap **+ ADD** or tap the word that you want to change or delete.
3. Type in the word that you want to add on the list, and then enter the preferred shortcut. You may also simply tap the **DELETE** button to remove the entry from the list.

Adjusting the pointer speed

Adjust the mouse pointer speed of a connected mouse.

1. From the Desktop, swipe up to show the Applications drawer, and then go to **Settings > System > Languages & input**.
2. Tap **Pointer speed**, and then adjust the pointer speed using the slider as needed.

Text-To-Speech output

Manage the Text-to-Speech (TTS) output settings.

1. From the Desktop, swipe up to show the Applications drawer, and then go to **Settings > System > Languages & input**.
2. Tap **Text-to-speech output**, and then modify any of the following options below:
 - **Preferred engine.** Select your preferred TTS engine on the list. You may tap the settings icon (⚙) to change the selected engine's settings.
 - **Language.** Select your preferred language for the TTS.
 - **Speech rate.** Adjust the speed at which the text is spoken.
 - **Pitch.** Adjust the pitch at which the text is spoken.
 - **Play.** Play a short demonstration of speech synthesis.
 - **Reset.** Reset the speech and pitch values.

Gestures

Set the camera to launch upon pressing the power key twice or set the phone's screen to wake when lifted.

1. From the Desktop, swipe up to show the Applications drawer, and then go to **Settings > System > Gestures**.
2. Toggle the **Jump to camera** on to quickly open the camera when you press the power button twice from any screen.
3. Toggle the **Lift to check phone** on to check time, notification icons, and other info upon picking up your phone.

Date & time

Configure the date and time settings of your phone. By default, these are automatically updated through a data service or an active wireless connection.

From the Desktop, swipe up to show the Applications drawer, and then go to **Settings > System > Date & time**. You may then change any of the following settings:

- **Automatic date & time.** Use network provided time.
- **Automatic time zone.** Use network provided time zone.
- **Set date.** Manually set the date.
- **Set time.** Manually set the time.

- **Select time zone.** Manually select a time zone.
- **Use 24-hour format.** Toggle between 12-hour and 24-hour time format.

Backup

Set up your phone to back up your data to Google Drive. These includes apps and apps data, call history, contacts, device settings, and SMS.

1. From the Desktop, swipe up to show the Applications drawer, and then go to **Settings > System > Backup**.
2. Toggle **Back up to Google Drive** on to enable automatic backup and then add a backup account through the now visible **Account** option.

Reset options

Erase connectivity, app preferences, or all data from your phone's internal storage.

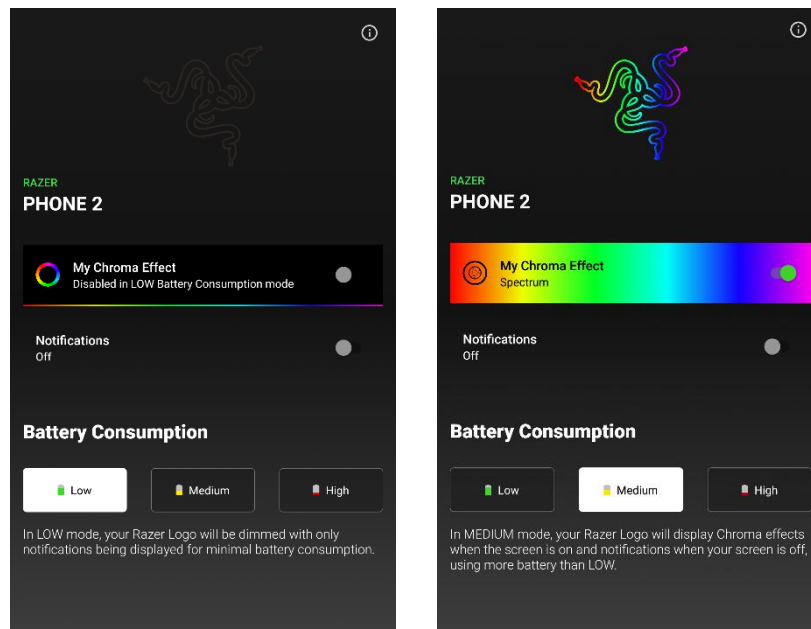
1. From the Desktop, swipe up to show the Applications drawer, and then go to **Settings > System > Reset options**.
2. You may then choose any of the following reset options:
 - **Reset Wi-Fi, mobile & Bluetooth.** Reset all network settings.
 - **Reset app preferences.** Reset all disabled apps, default app settings, app notifications, background data restrictions, and other app permissions.
 - **Erase all data (factory reset).** This will erase all data from your phone's internal storage. This includes your Google account, system and app data, downloaded apps, music, photos, and other user data.
3. Confirm the reset.

8. PERSONALIZING THE RAZER LOGO LIGHTING

From changing its lighting effects, using it to display app notifications, to adjusting the logo lighting's power consumption – launch the Chroma Configurator app pre-installed in your phone to customize the features and lighting effect of your phone's Razer logo.

RAZER PHONE 2

Upon launching the app, the Chroma Configurator app will open the Razer Phone 2 default page.



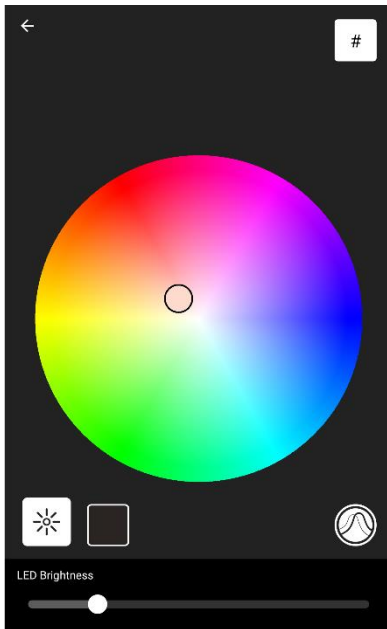
From here you'll be able to do the following:

- **My Chroma Effect.** This will enable the Chroma Effect on the logo lighting. By default, this is set to spectrum cycling. If enabled, tap My Chroma Effect to open the Chroma Effect page.
- **Notifications.** Enable this setting to use the Razer logo lighting to display notifications for selected applications.
- **Batter Consumption.** Change how much battery is consumed by the logo lighting once enabled. You may change this setting to any of the modes below:
 - **Low.** The default mode. This mode automatically disables the logo lighting once selected.
 - **Medium.** This mode will display Chroma effects when the screen is on and notifications when the screen is off.
 - **High.** Displays a Chroma effect on the logo until disabled or until you have fully switch modes.

CONFIGURING A CHROMA EFFECT

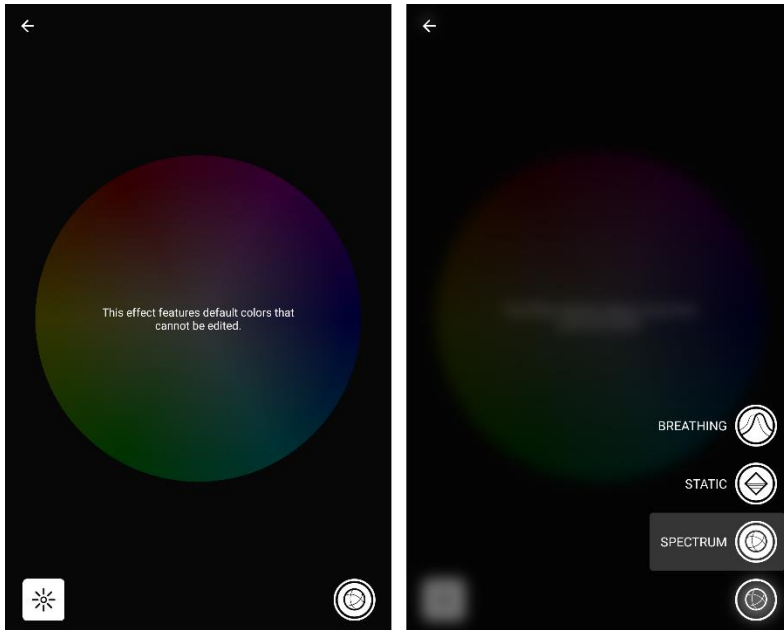
Once you have enabled My Chroma Effect, tapping on the My Chroma Effect again will open the Chroma Effect page. From here, you'll be able to change lighting effects on the Razer logo using presets and/or customize the selected effect further (if applicable); and even change its brightness level if needed.

Adjusting Brightness






Use the Brightness button (☼) to adjust the brightness level of the logo using the LED Brightness slider.

Changing Chroma Effects



Tap the Effect button (found on the lower right portion of the Chroma Effect screen) to change the lighting effect of the logo.

You may change the effect to any of the options provided below:

	Effect	How it works
	Breathing	The logo will fade in and out of the selected color
	Spectrum cycling	The default Chroma Effect. The logo will cycle between 16.8 million colors indefinitely.
	Static	The logo will remain lit in the selected color

Changing Chroma Effects



The color for Breathing and Static effects can be changed using the color picker or by specifically entering a hexadecimal color code.

A selected color's intensity can be changed by tapping the color button (beside the brightness button) and adjusting the visible color intensity slider to the preferred tone.

9. SAFETY AND MAINTENANCE

SAFETY GUIDELINES

Every phone comes with its own set of safety guidelines. Here's what we recommend for your Razer Phone 2.

Hardware

- Only use the Quick Charger and/or accessories included with your phone, and only purchase accessories made and/or approved by Razer.
- Only use the included SIM eject PIN to the allocated opening of your phone's SIM tray.
- Your phone's power key is also a fingerprint sensor. Don't expose the power key to sharp objects like coins and/or keys that may cause dents or scratches.
- If your phone's screen gets broken or cracked, approach a qualified servicing personnel for repair.
- Your phone screen is designed to respond to light taps and button presses. Don't excessively tap the screen or press any of its buttons with unnecessary force.
- If you encounter problems using your phone and troubleshooting fails, unplug it and contact the Razer hotline or visit support.razer.com for assistance. Don't service or fix the phone on your own. This will void your warranty.

Usage

- Keep the phone away from children. Especially its accessories.
- Use your phone in an environment with temperatures ranging from 0°C (32°F) to 40°C (104°F). Should temperatures exceed this range, unplug and/or switch off your phone and let the temperature return to an optimal range.
- The Razer Phone 2 is made for entertainment. However, do note that downloading/uploading an excessive number of files, streaming online content, enabling your phone's GPS or location, and other similar data services, may incur excessive data charges.
- Traffic laws are important. Don't use your phone when driving.
- Don't use your phone when doing any activity that requires awareness of your surroundings, like walking or jogging.
- Avoid using or turn off your phone in areas that prohibit its usage such as aircrafts, gasoline stations, or theaters.

Water and Dust

The Razer Phone 2 is rated up to IP67. It is dustproof and designed to withstand short and minimal immersions in water at minimal depths.

Should your phone get wet dry it thoroughly with a soft, dry cloth. Ensure your phone and USB-C port is fully dry before attempting to charge your phone again and/or remove your SIM card tray.

Please note that damages caused by sand and/or liquid will not be covered by the warranty.

BATTERY WARNING

The Razer Phone 2 contains an internal, lithium-ion polymer rechargeable battery. In general, the life expectancy of this battery depends upon its usage. If the battery does not charge after several attempts, it may be non-operational and you may need to contact customer support. Don't attempt to replace the battery yourself.

Don't open, mutilate, or expose to conducting materials (metal), moisture, liquid, fire, or heat. Doing so may cause the battery to leak or explode, resulting in personal injury. Don't use or charge the battery if it is leaking, discolored, or deformed.

Don't leave the battery discharged or unused for extended periods. When not using your Razer Phone 2 for more than 30 days, store the phone in a fully charged state. This will prevent damage to the battery due to an overly discharged state.

10. LEGALESE

COPYRIGHT AND INTELLECTUAL PROPERTY INFORMATION

©2018 Razer Inc. All rights reserved. Razer, the triple-headed snake logo, Razer logo, "For Gamers. By Gamers.", "Powered by Razer Chroma" logo and Razer Phone 2 are trademarks or registered trademarks of Razer Inc. and/or affiliated companies in the United States or other countries.

©2018 Google LLC All rights reserved. All rights reserved. Android, Google Play, Google Drive, Google Voice Search, Google Chrome, Google Assistant, Gmail, are trademarks of Google LLC.

Adreno, Qualcomm, Quick Charge, and Snapdragon are registered trademarks of Qualcomm Incorporated.

Manufactured under license from Dolby Laboratories. Dolby, Dolby Atmos, and the double-D symbol are trademarks of Dolby Laboratories.

The Bluetooth® word mark and logos are registered trademarks owned by the Bluetooth SIG, Inc. and any use of such marks by Razer is under license. All other trademarks and trade names are the property of their respective owners and other company and product names mentioned herein may be trademarks of their respective companies.

Razer Inc. ("Razer") may have copyright, trademarks, trade secrets, patents, patent applications, or other intellectual property rights (whether registered or unregistered) concerning the product in this guide. Furnishing of this guide does not give you a license to any such copyright, trademark, patent or other intellectual property right. The Razer Phone 2 (the "Product") may differ from pictures whether on packaging or otherwise. Razer assumes no responsibility for such differences or for any errors that may appear. Information contained herein is subject to change without notice.

LIMITED PRODUCT WARRANTY

For the latest and current terms of the Limited Product Warranty, please visit [razer.com/warranty](https://www.razer.com/warranty).

LIMITATION OF LIABILITY

Razer shall in no event be liable for any lost profits, loss of information or data, special, incidental, indirect, punitive or consequential or incidental damages, arising in any way out of distribution of, sale of, resale of, use of, or inability to use the Product. In no event shall Razer's liability exceed the retail purchase price of the Product.

GENERAL

These terms shall be governed by and construed under the laws of the jurisdiction in which the Product was purchased. If any term herein is held to be invalid or unenforceable, then such term (in so far as it is invalid or unenforceable) shall be given no effect and deemed to be excluded without invalidating any of the remaining terms. Razer reserves the right to amend any term at any time without notice.