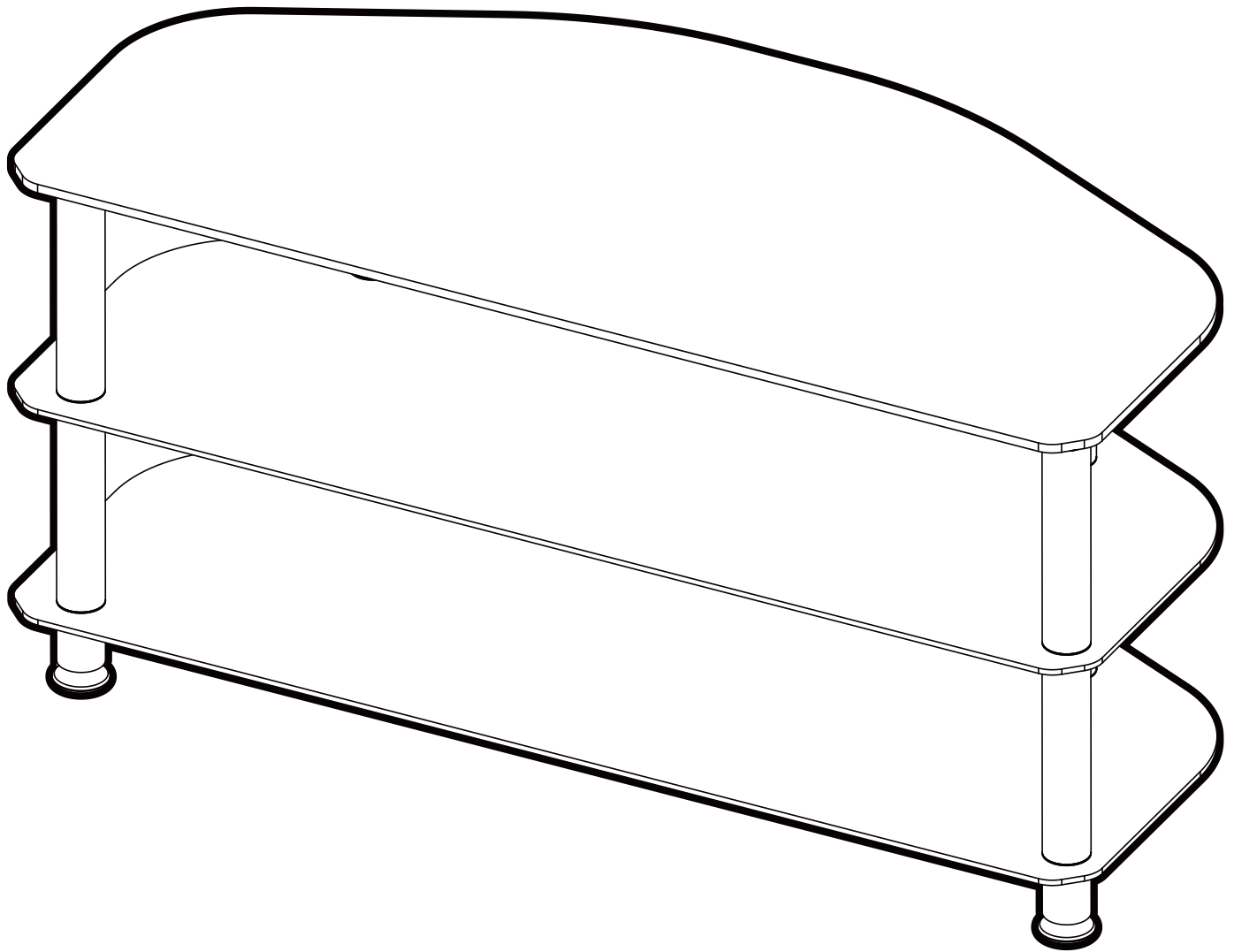


**Product Name: DAIS**  
**Product Ref: D80B/D100B**  
**Art number: 403800/403100**



**TECHLINK , A Division Of Tapehand Ltd.**  
Units 7 and 8 Bat and Ball Enterprise Centre  
Bat and Ball Road  
Sevenoaks  
Kent  
United Kingdom  
TN14 5LJ



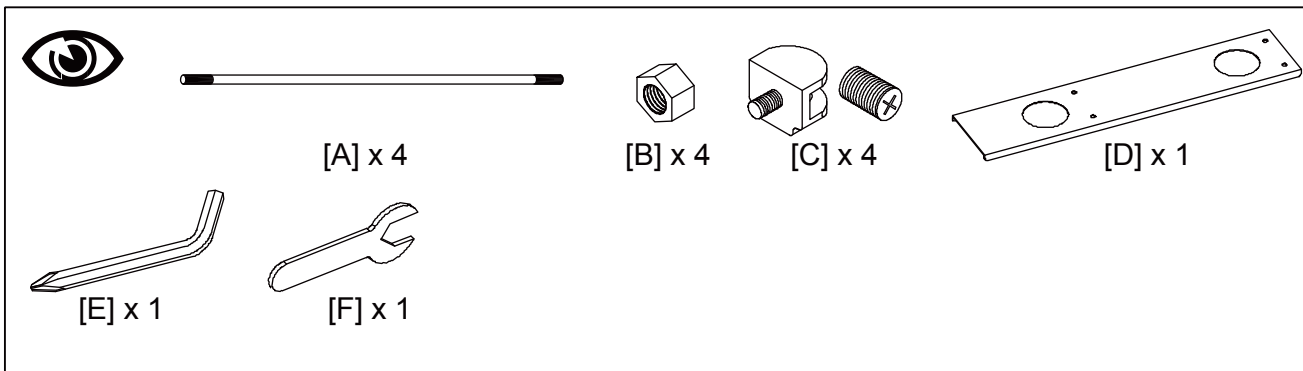
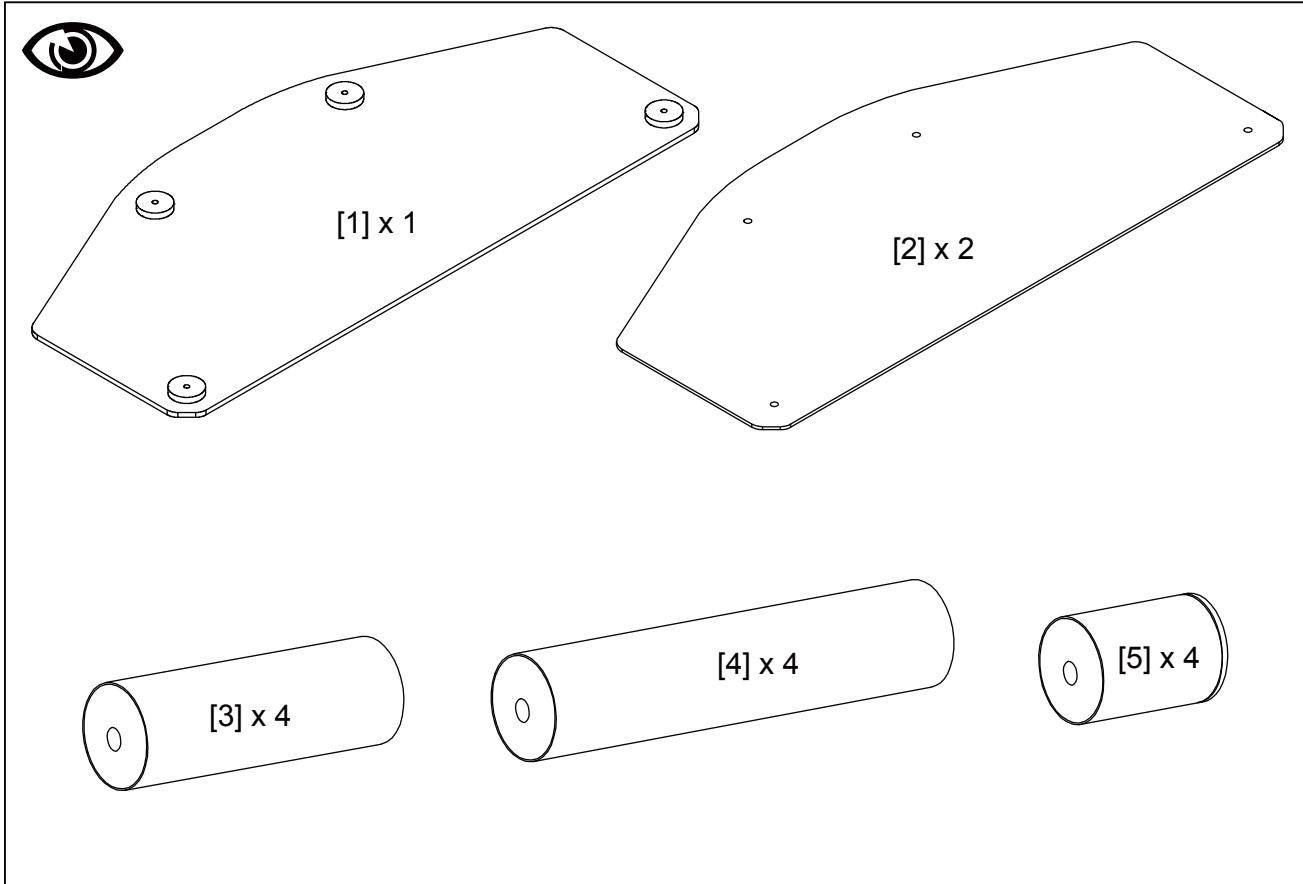
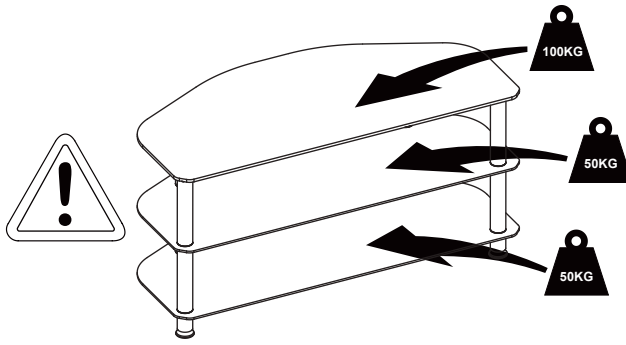
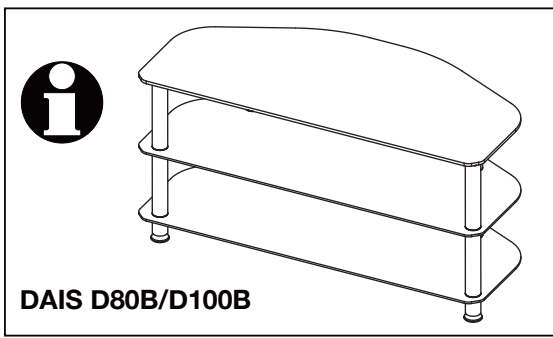
**(UK)Free Phone 0800 634 2699**  
**(US)Toll Free (844) 499-1159**



**spares@techlink.uk.com**

**Web**

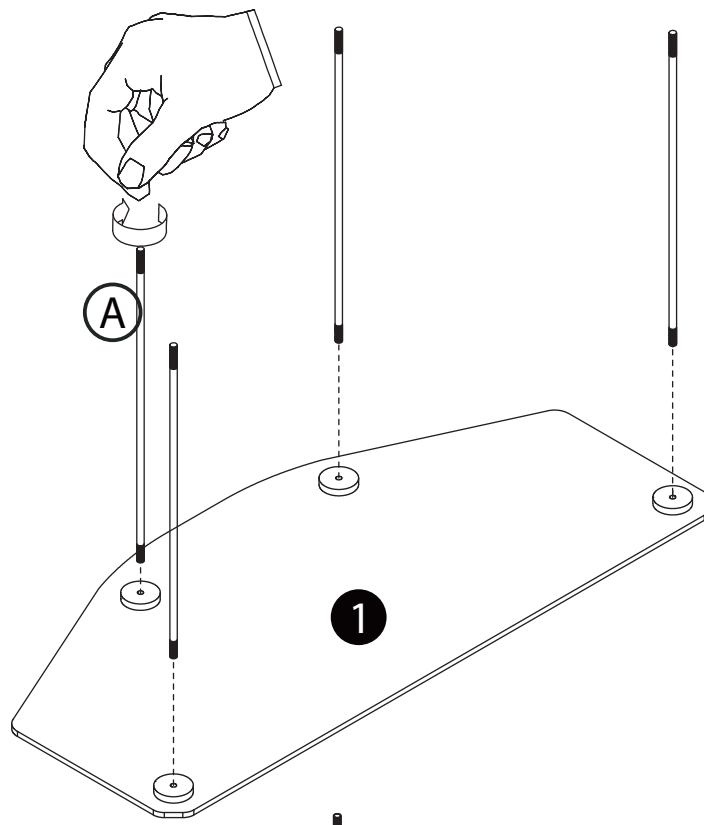
**www.techlink.uk.com**  
**www.recharge.uk.com**



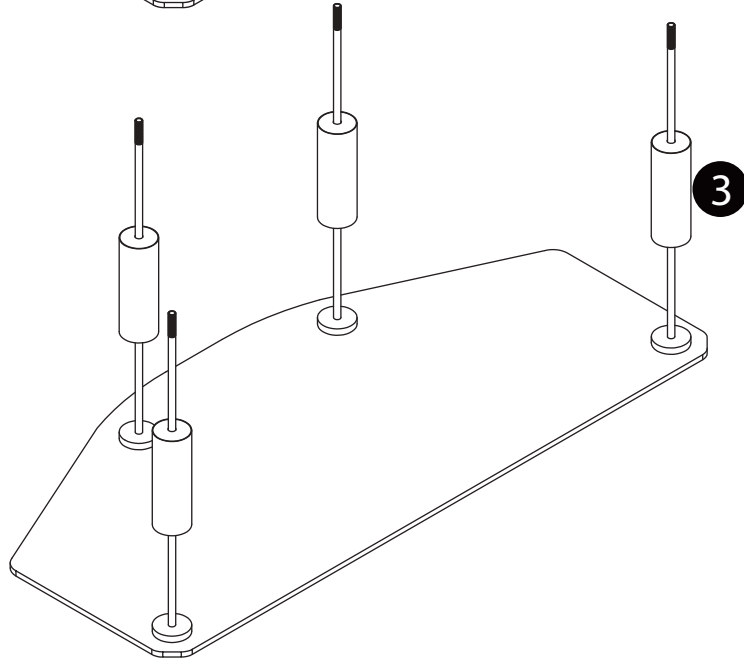
1

A

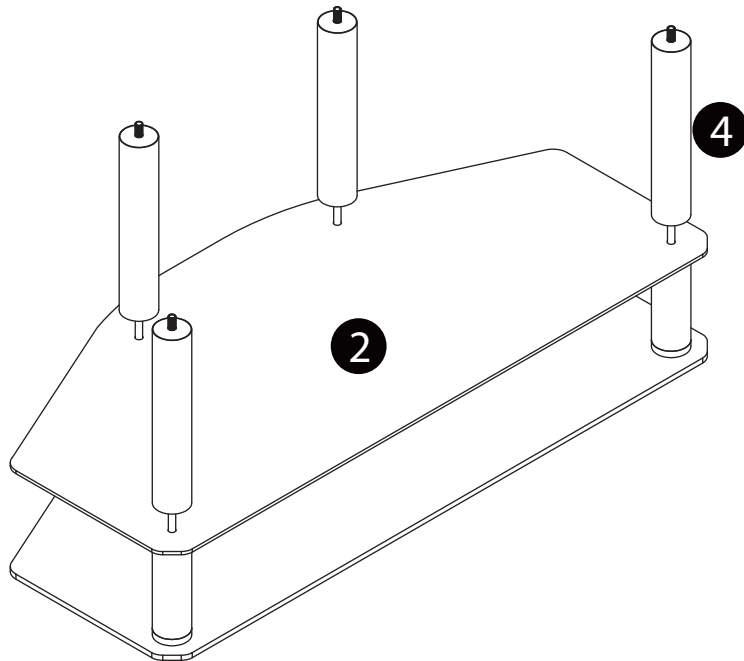
x4



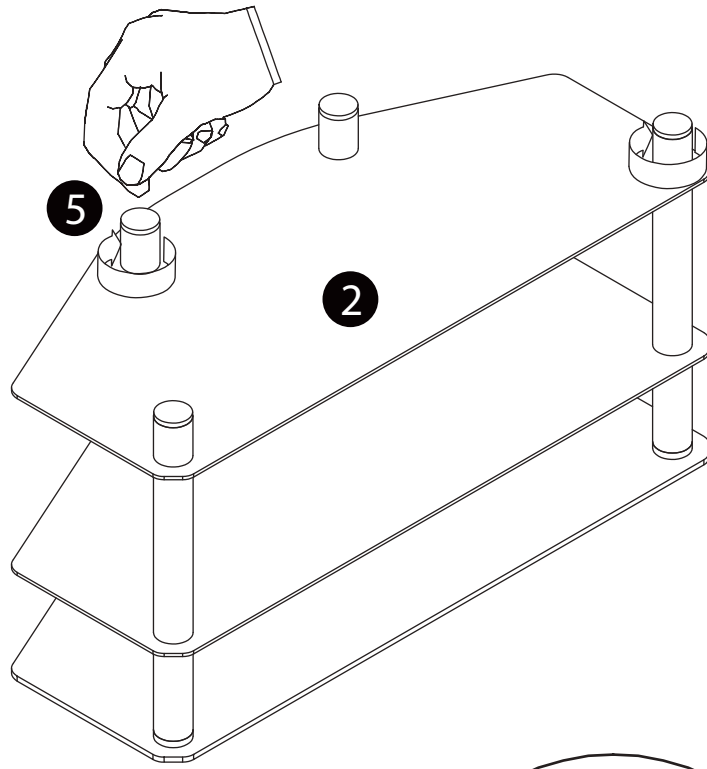
2



3



4



5

(B) [Nut] x4

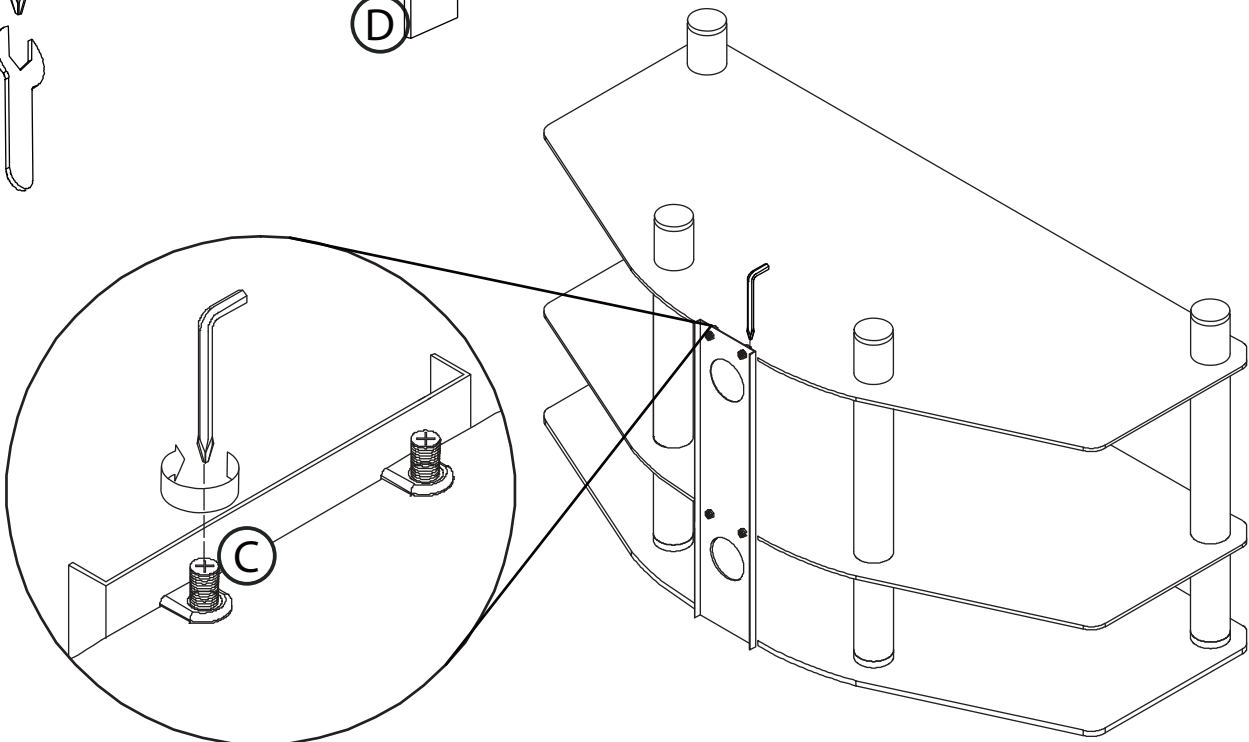
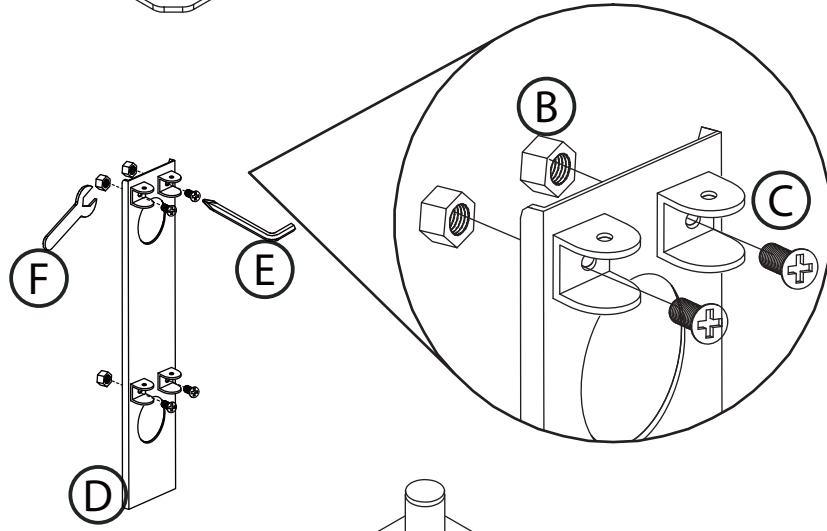
(C) [Bracket] [Screw] x4



(E)



(F)



Caution when turning the stand over  
best done with two people

D80B/D100B REV3