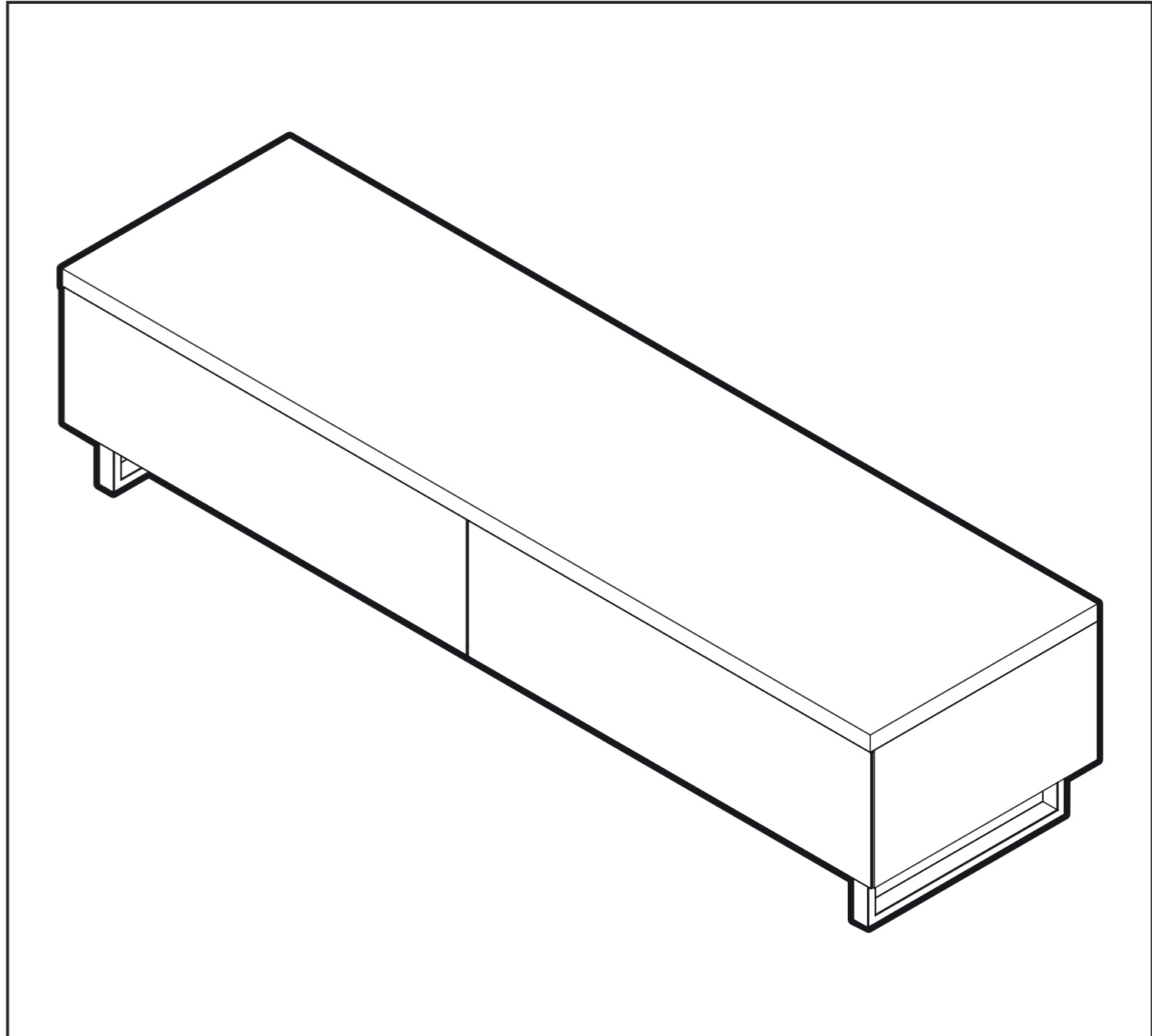
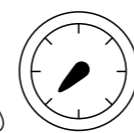


Product Name: PANORAMA  
Product Ref: PM120  
Art number: 407280/407281/407283  
Product Ref: PM160  
Art number: 406420/406421/606423

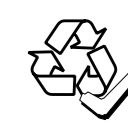
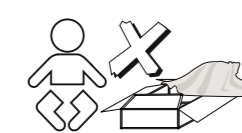


### Care Instructions:

- This product uses real wood veneer. Slight colour change over time due to exposure to natural light is to be expected.
- Avoid direct sunlight as this can produce colour changes in the areas affected.
- Colour and pattern variation is to be expected with this natural material and does not constitute a product defect.
- Clean all surfaces using a soft damp cloth. A suitable furniture polish can be used if required.
- Do not use abrasive cleaners.
- Do not place hot or cold items in direct contact with any part of this product.
- Take care not to overtighten any part of this assembly.



= 75mins  
 = 50mins



**TECHLINK**, A Division Of Tapehand Ltd.  
Units 7 and 8 Bat and Ball Enterprise Centre  
Bat and Ball Road  
Sevenoaks  
Kent  
United Kingdom  
TN14 5LJ



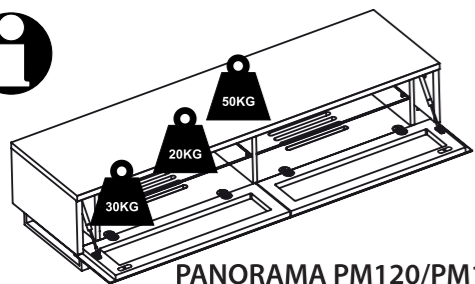
**(UK)Free Phone 0800 634 2699**  
**(US)Toll Free (844) 499-1159**



**salesdesk@techlink.uk.com**

**Web**

**www.techlink.uk.com**  
**www.recharge.uk.com**



PANORAMA PM120/PM160



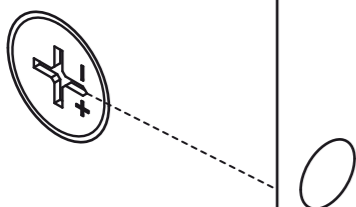
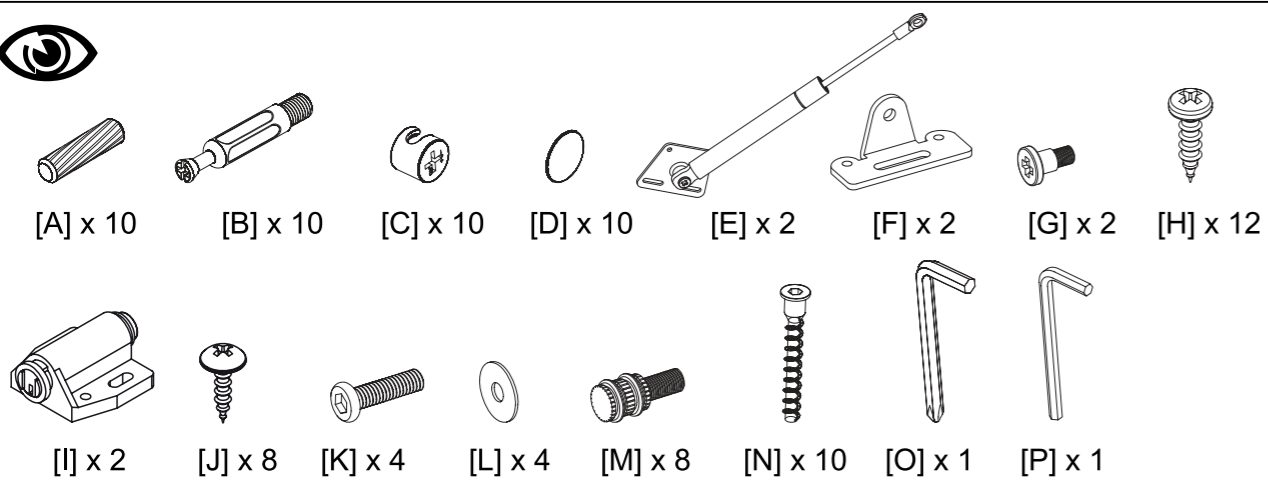
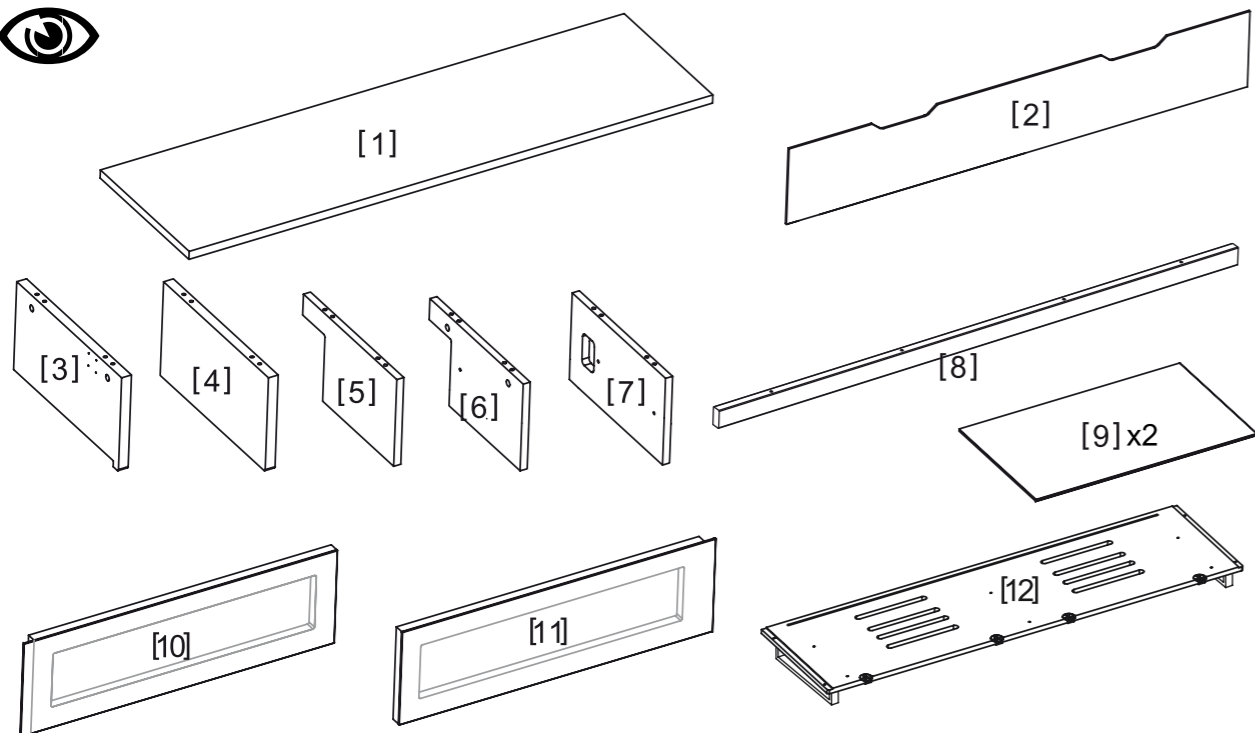
Take care not to overload the stand.



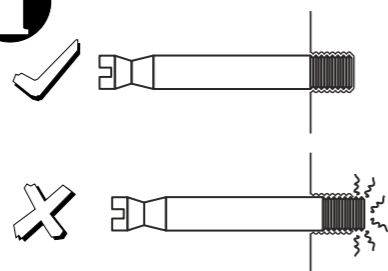
Build the stand on a soft surface to prevent risk of scratching.



Take extra care not to over tighten any screws as this may cause damage!



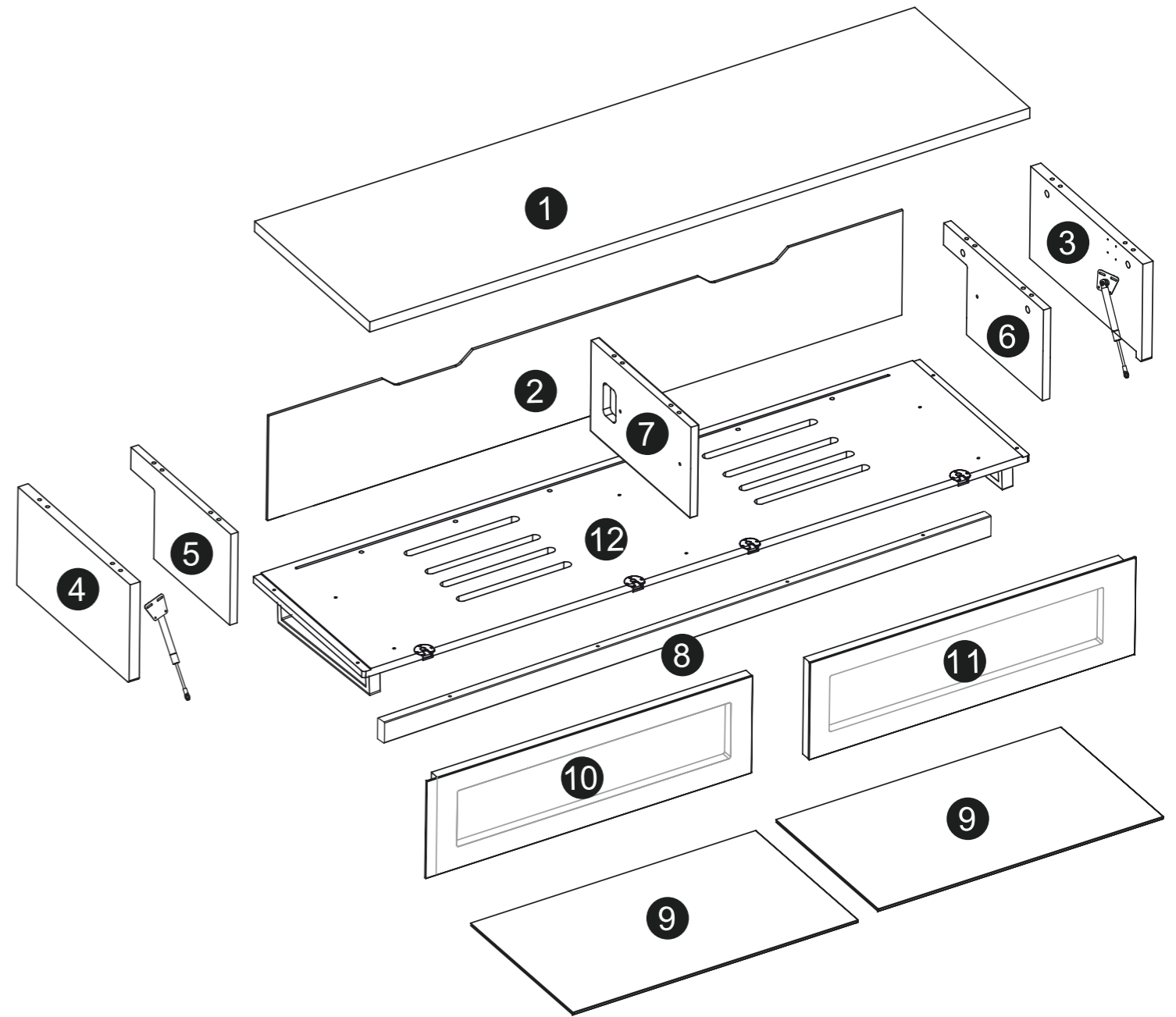
Make sure the arrows on all part C are aiming towards the panel edge when inserted.




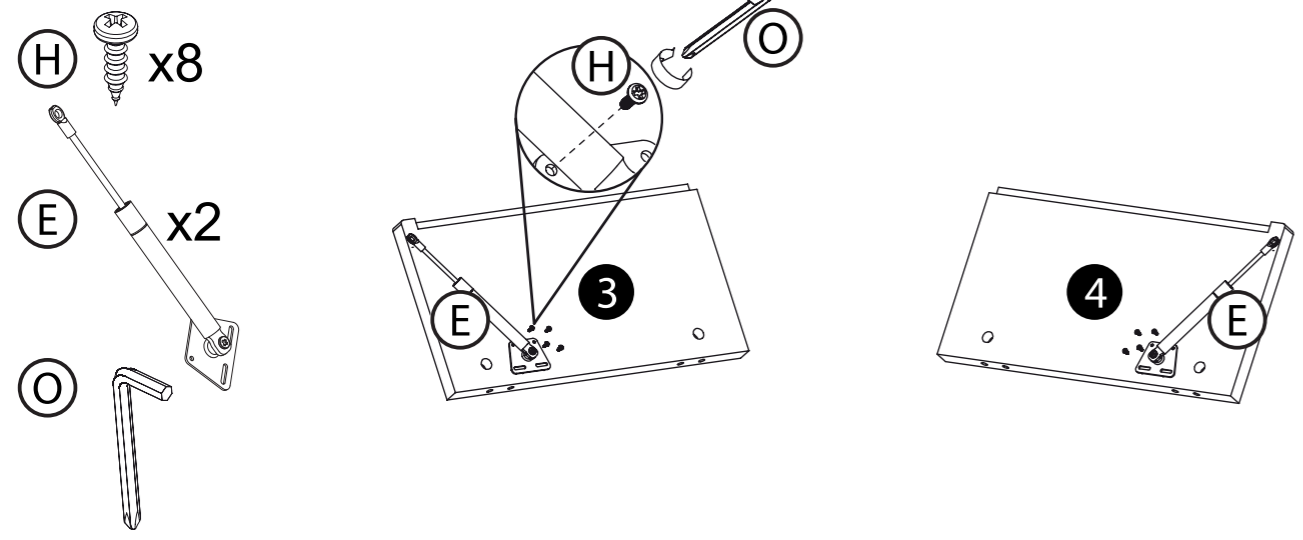
Make sure not to over tighten any part B as this could cause damage or error in alignment of panels.



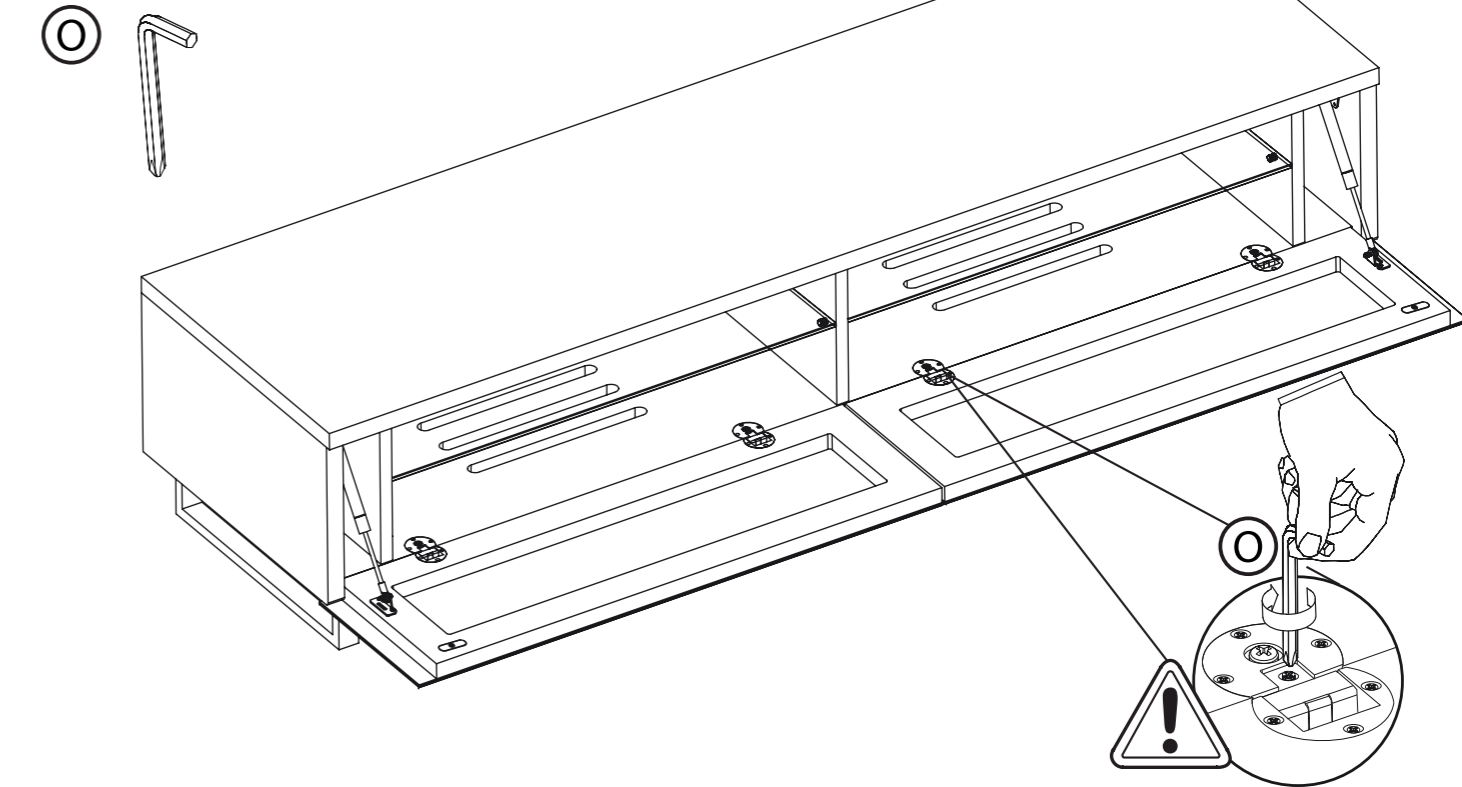
Some construction steps may be easier with proper tools.



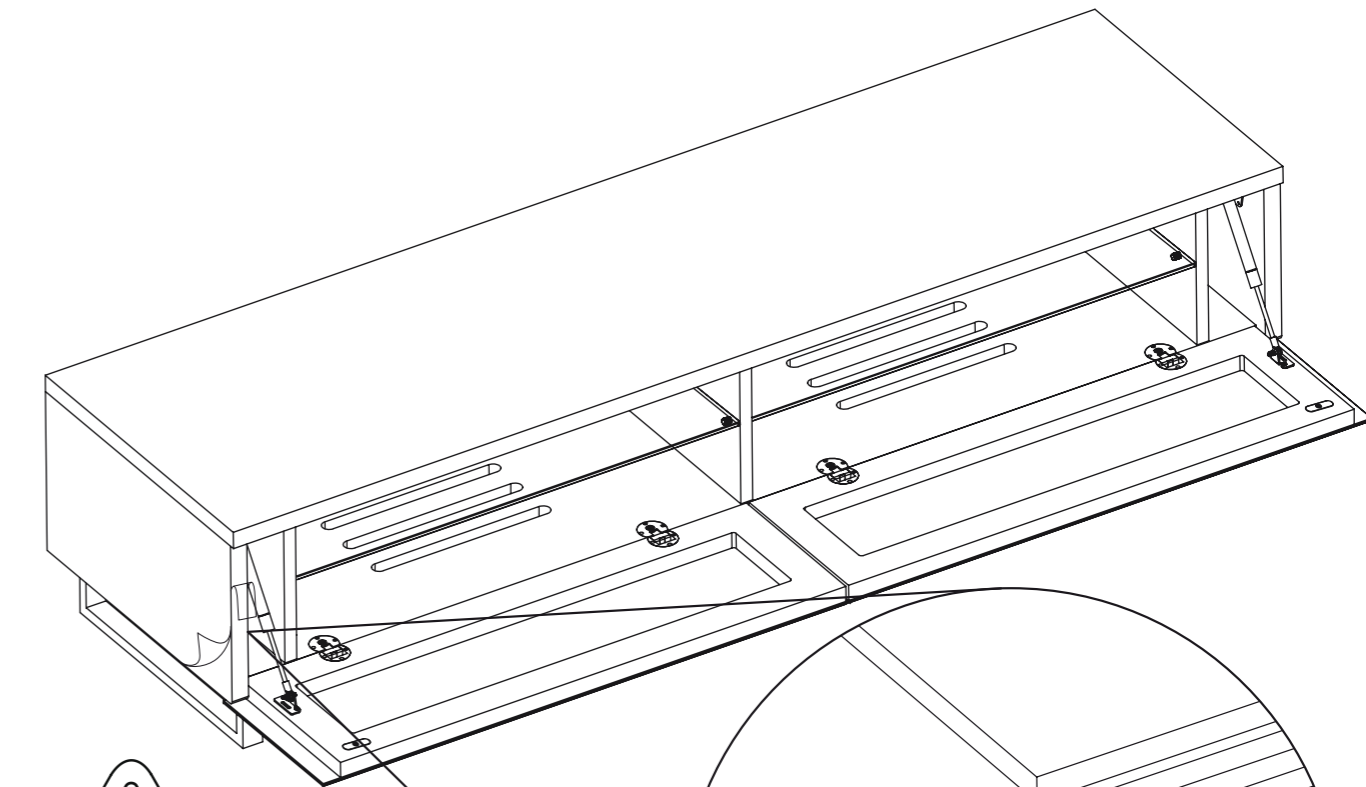
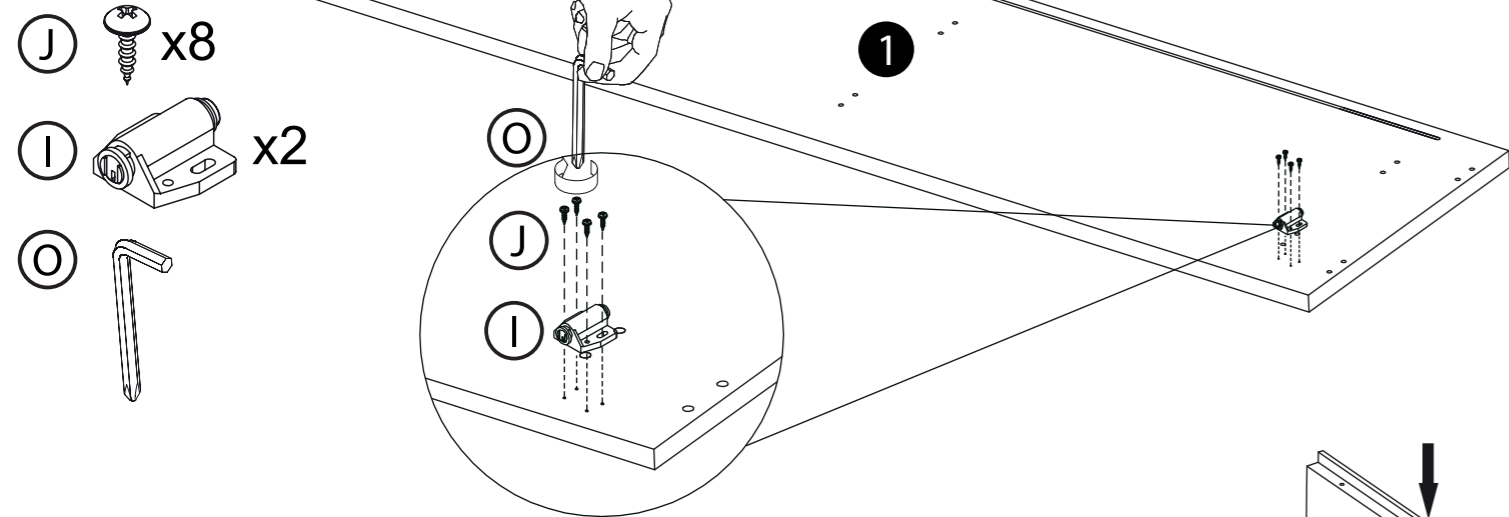
**1**  Take extra care not to over tighten any screws as this may cause damage!



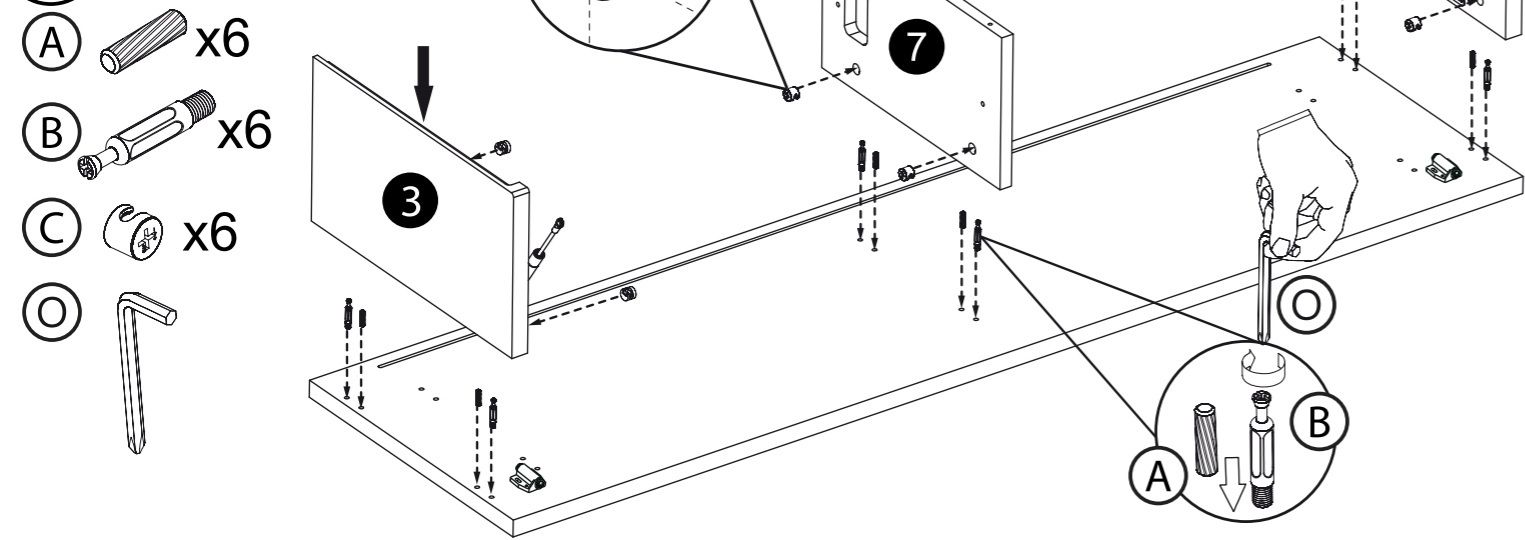
**14** **ADJUST**  
If the doors dont close properly adjust the hinges slightly to fix alignment.



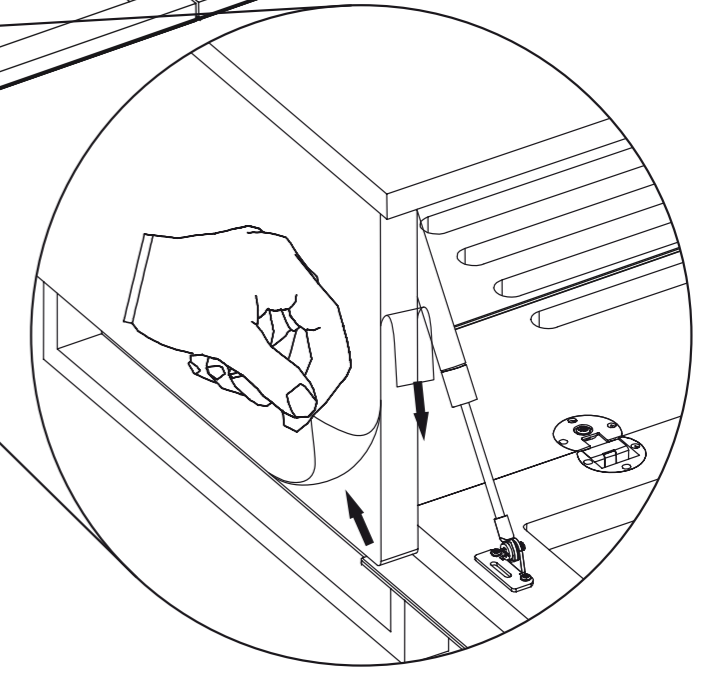
**2**

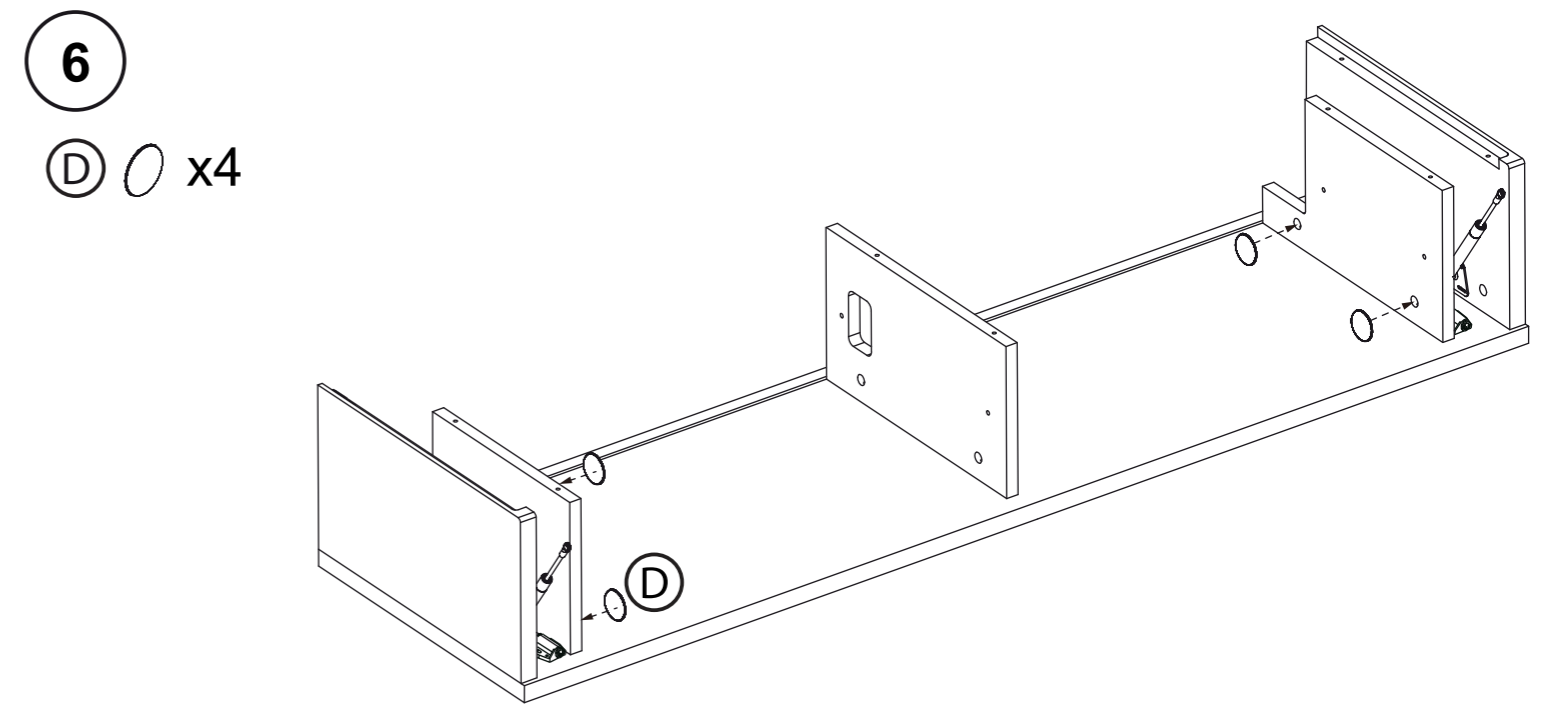
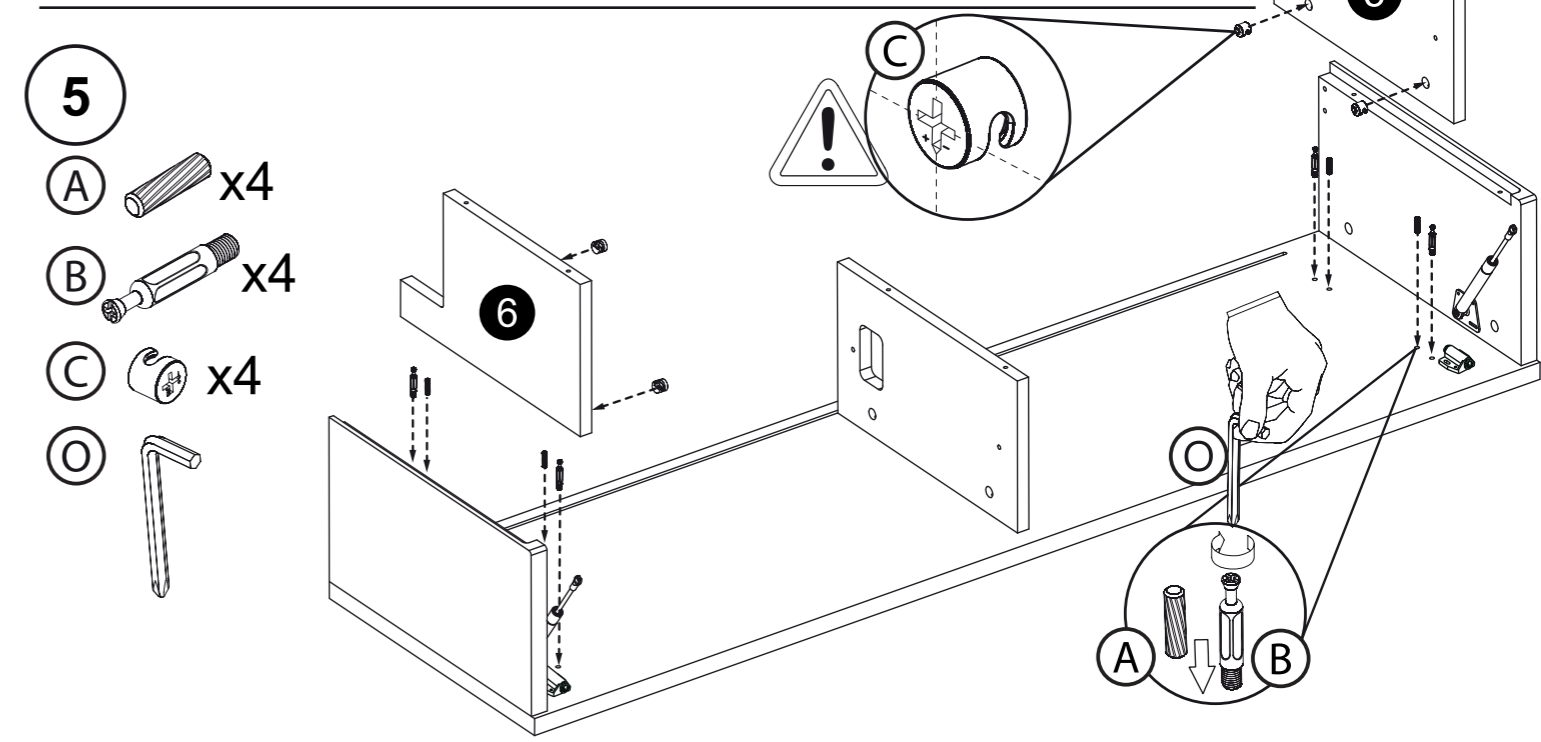
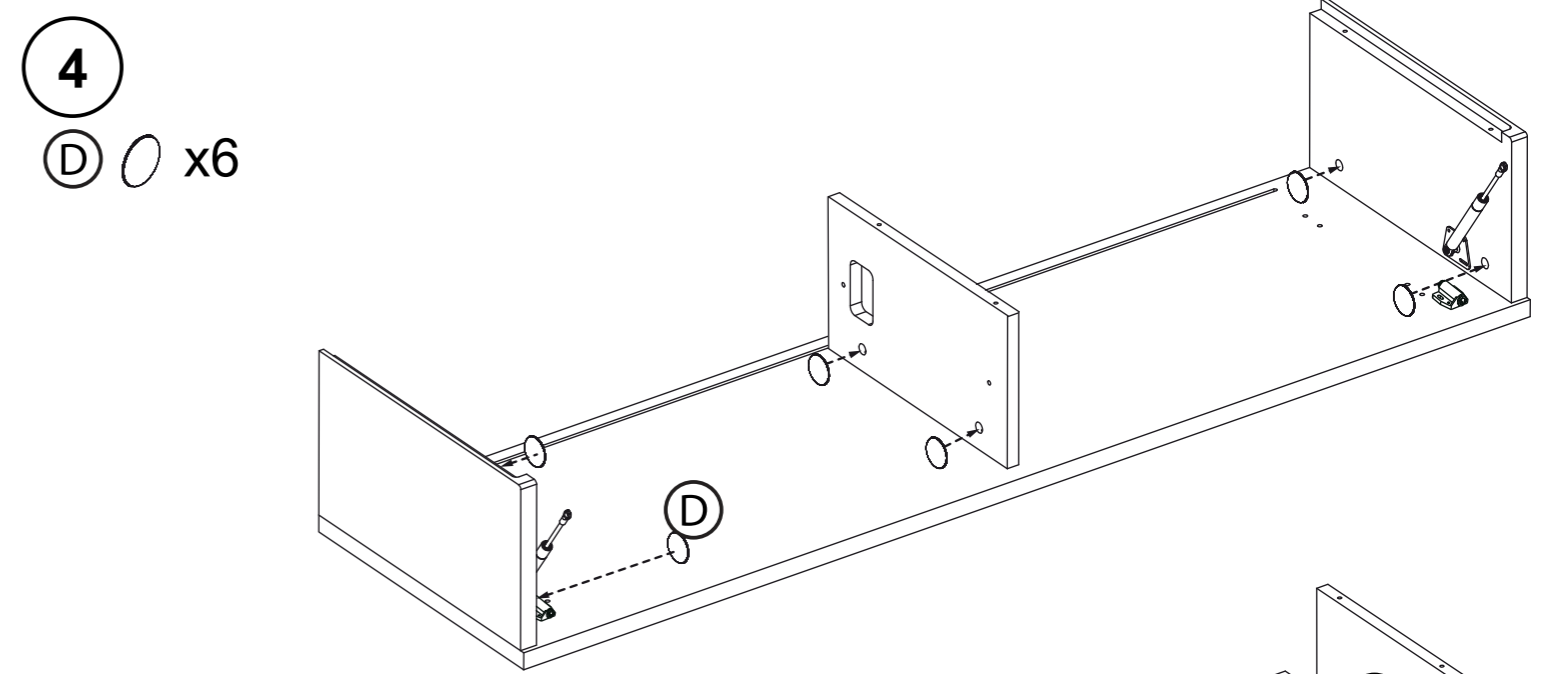
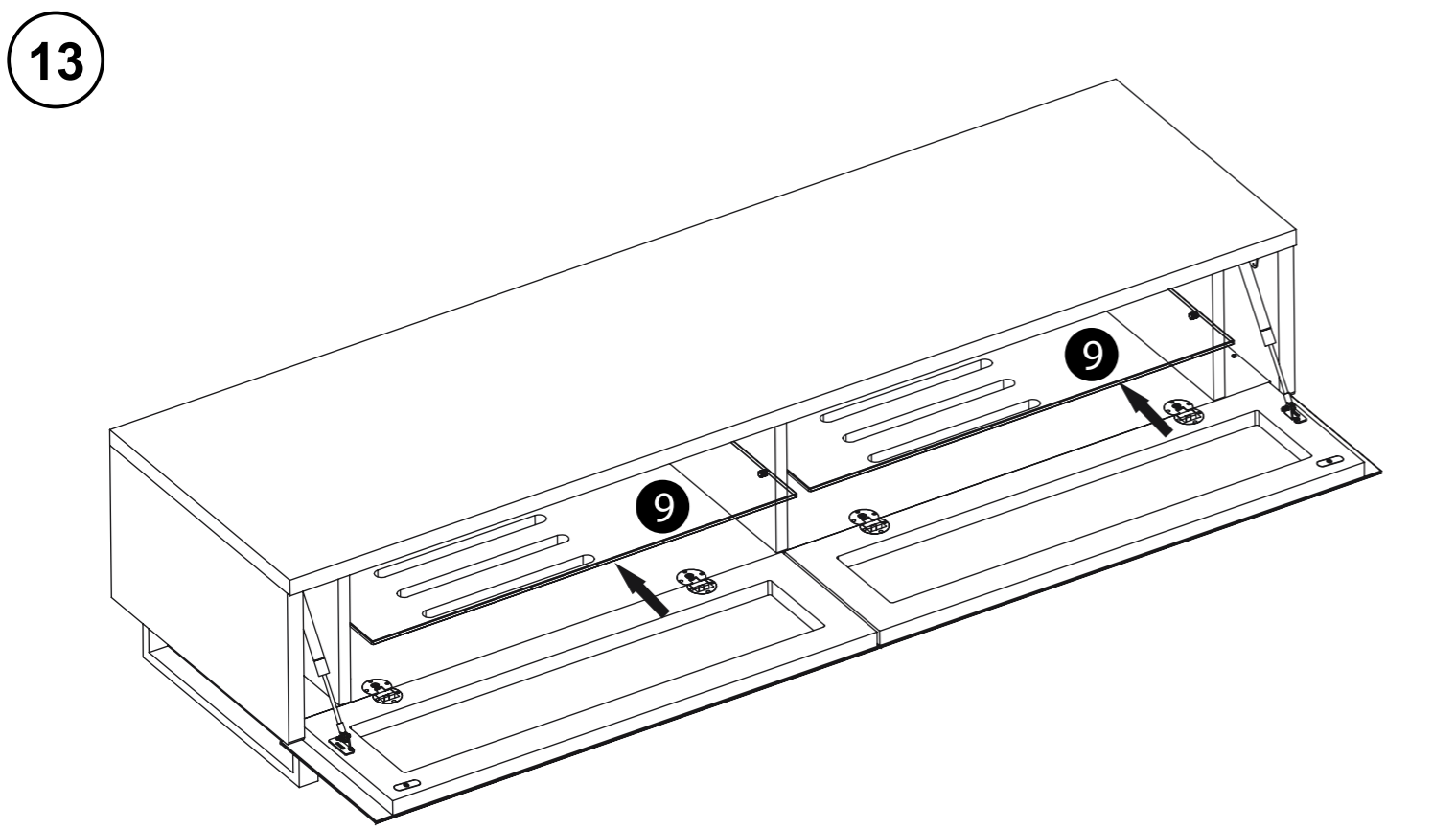
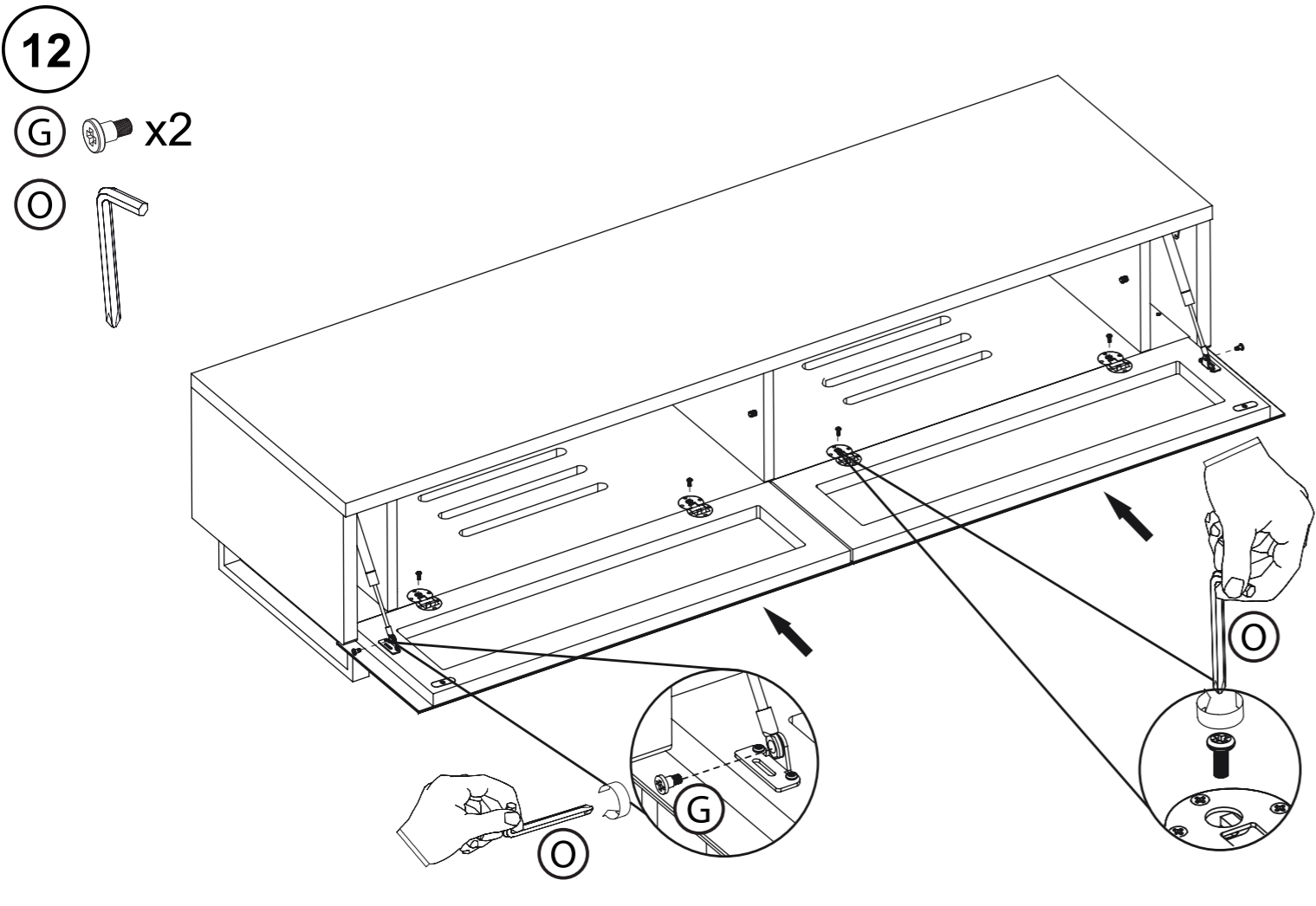


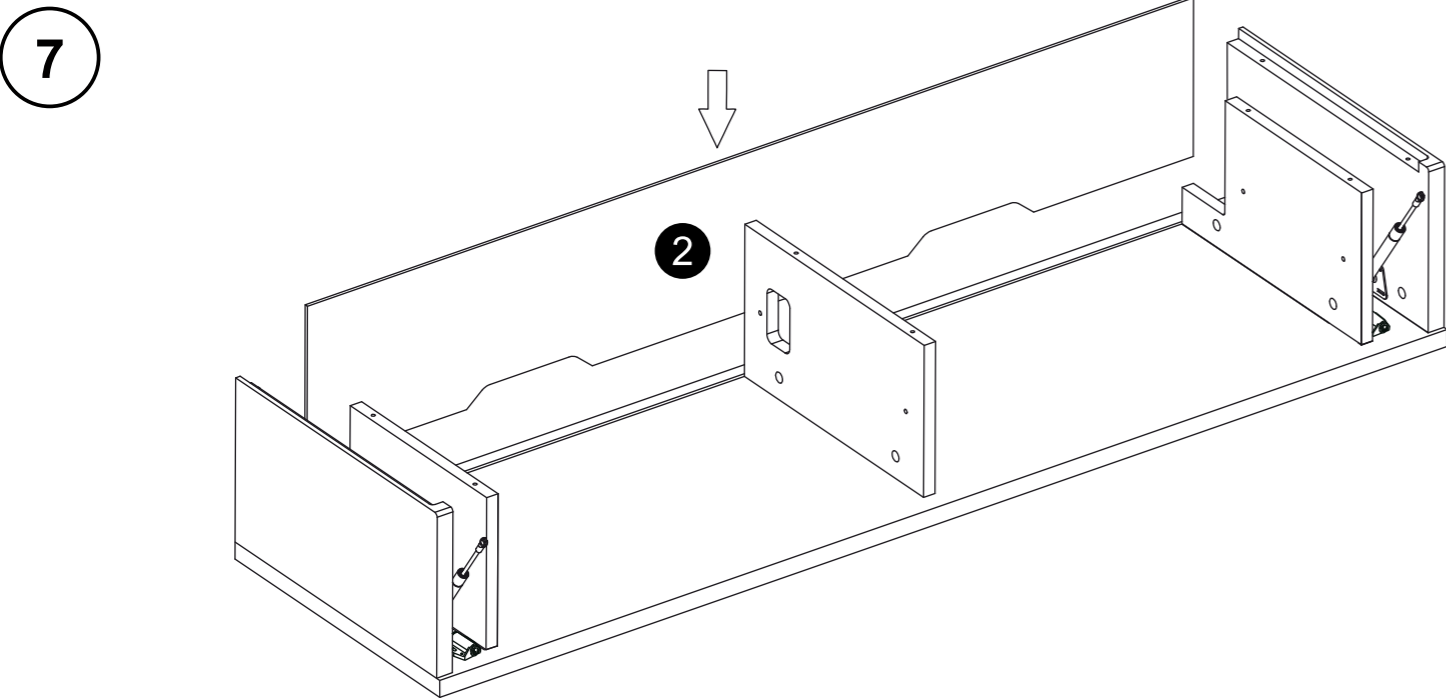
**3**



  
Remove protective film from the side panels to show high gloss finish.





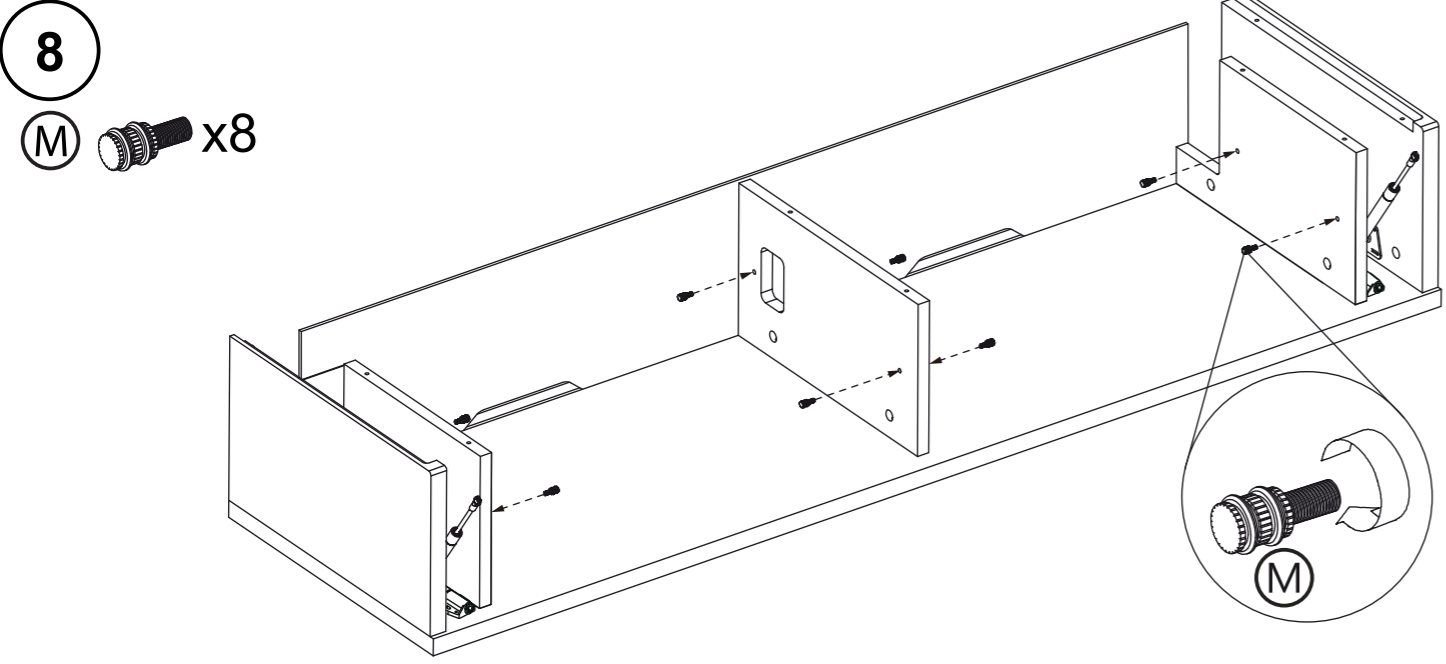
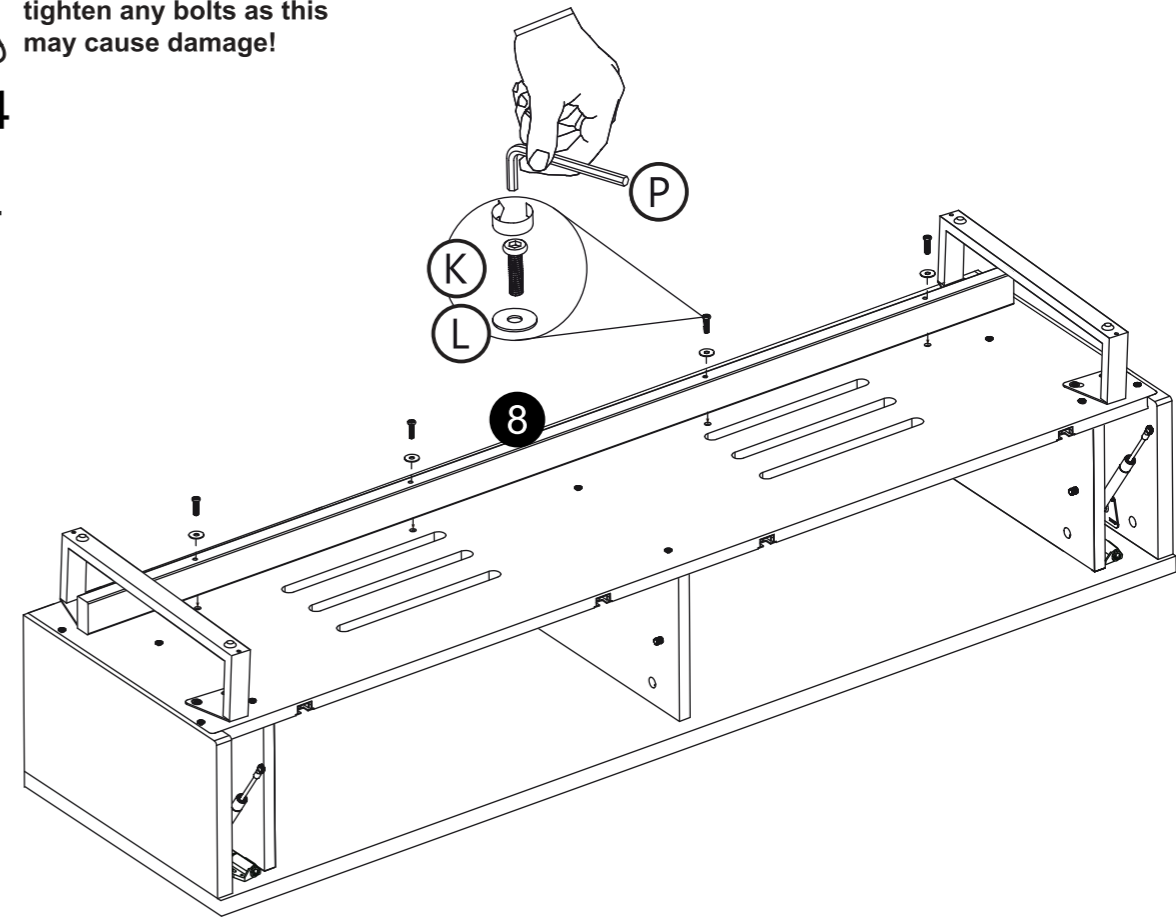


**10** Take extra care not to over tighten any bolts as this may cause damage!

**(K)** x4

**(L)** x4

**(P)**

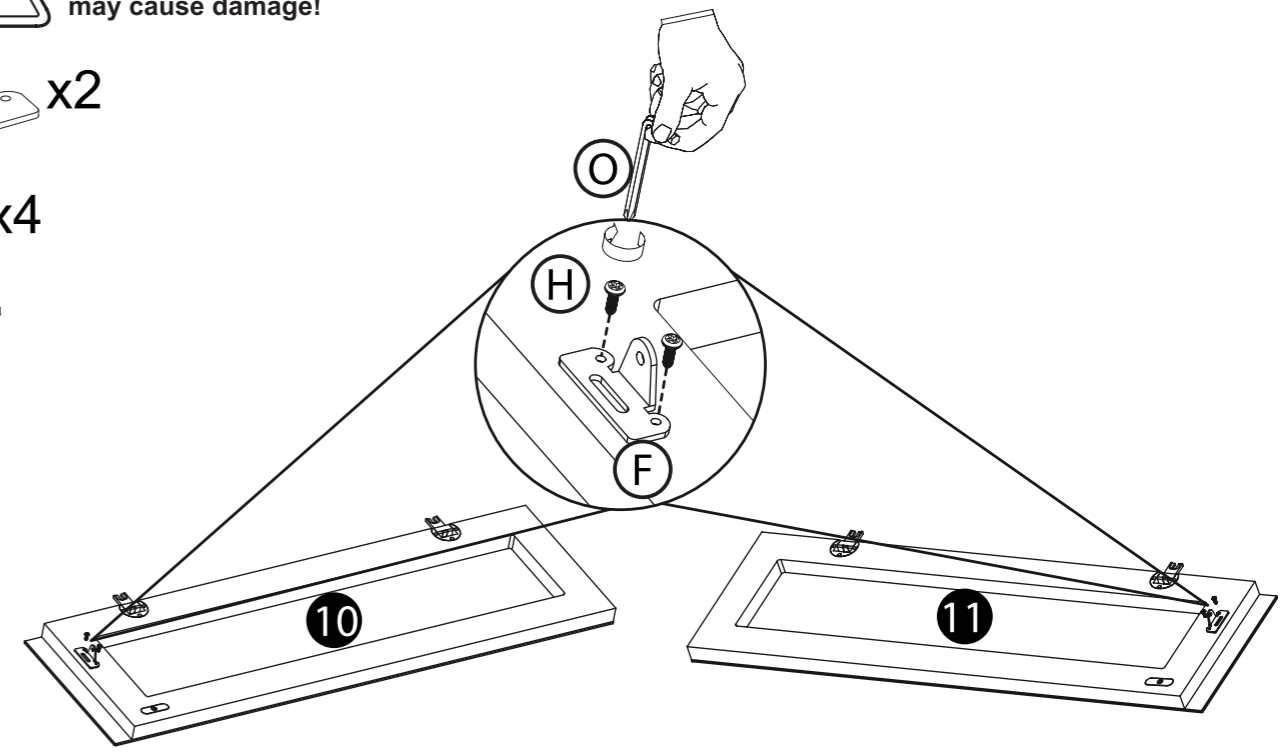


**11** Take extra care not to over tighten any screws as this may cause damage!

**(F)** x2

**(H)** x4

**(O)**



**9** Take extra care not to over tighten any screws as this may cause damage!

**(N)** x10

**(P)**

