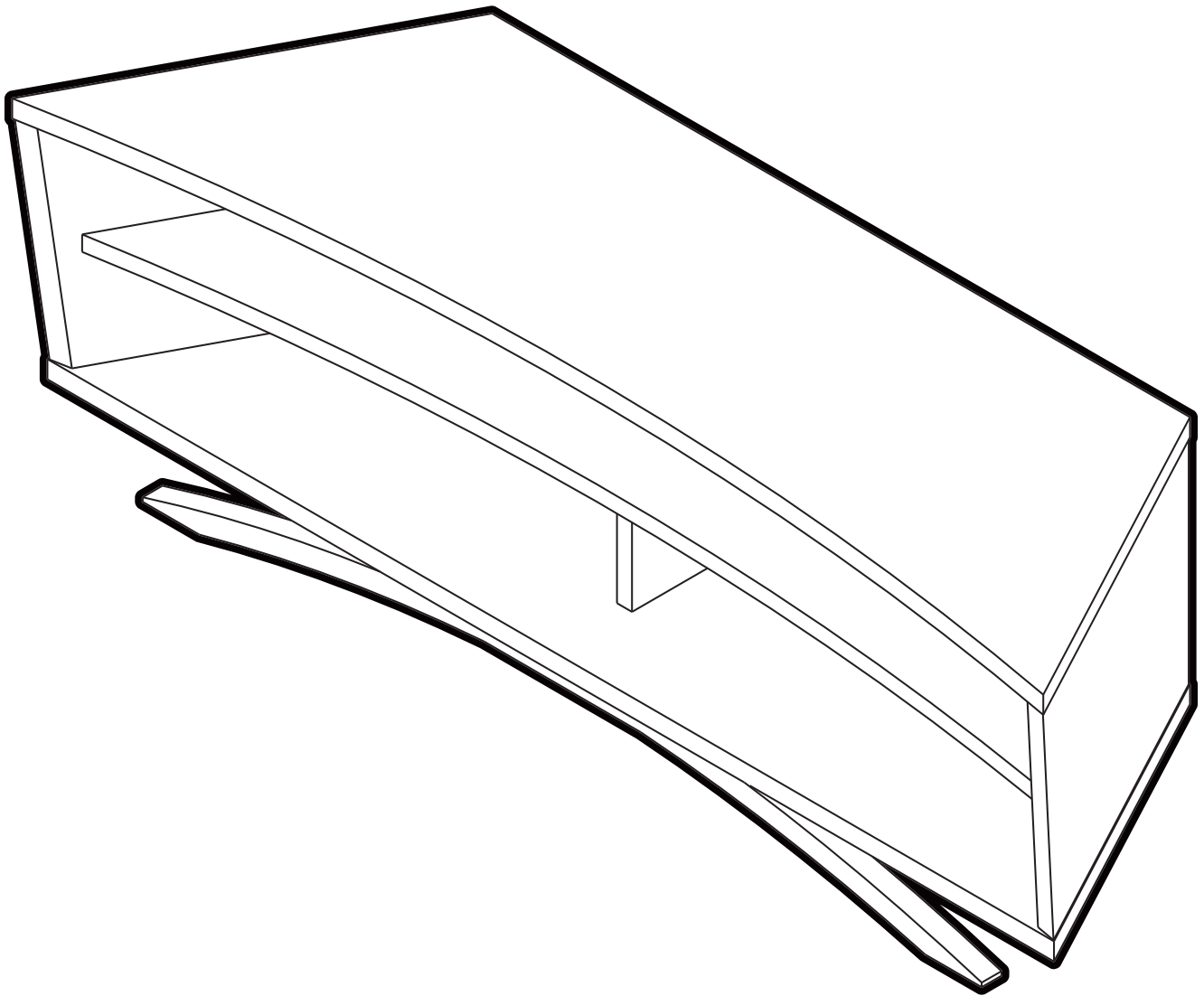


Product Name: PRISMA

Product Ref: PR130

Art number: 407460/407461/407462

TECHLINK™



 = 30mins

**TECHLINK**, A Division Of Tapehand Ltd.  
Units 7 and 8 Bat and Ball Enterprise Centre  
Bat and Ball Road  
Sevenoaks  
Kent  
United Kingdom  
TN14 5LJ



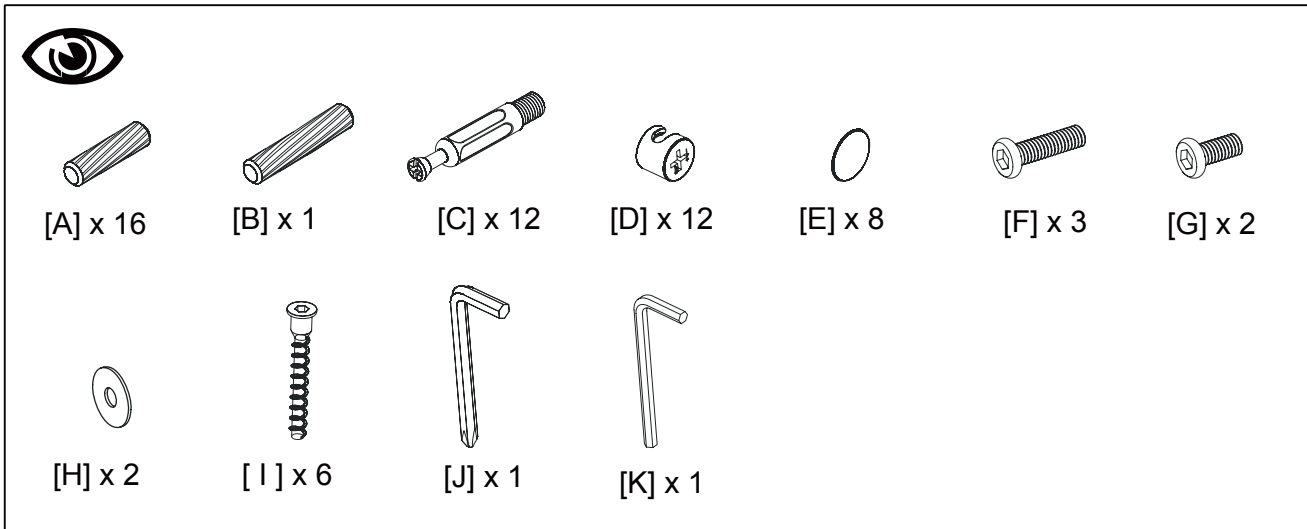
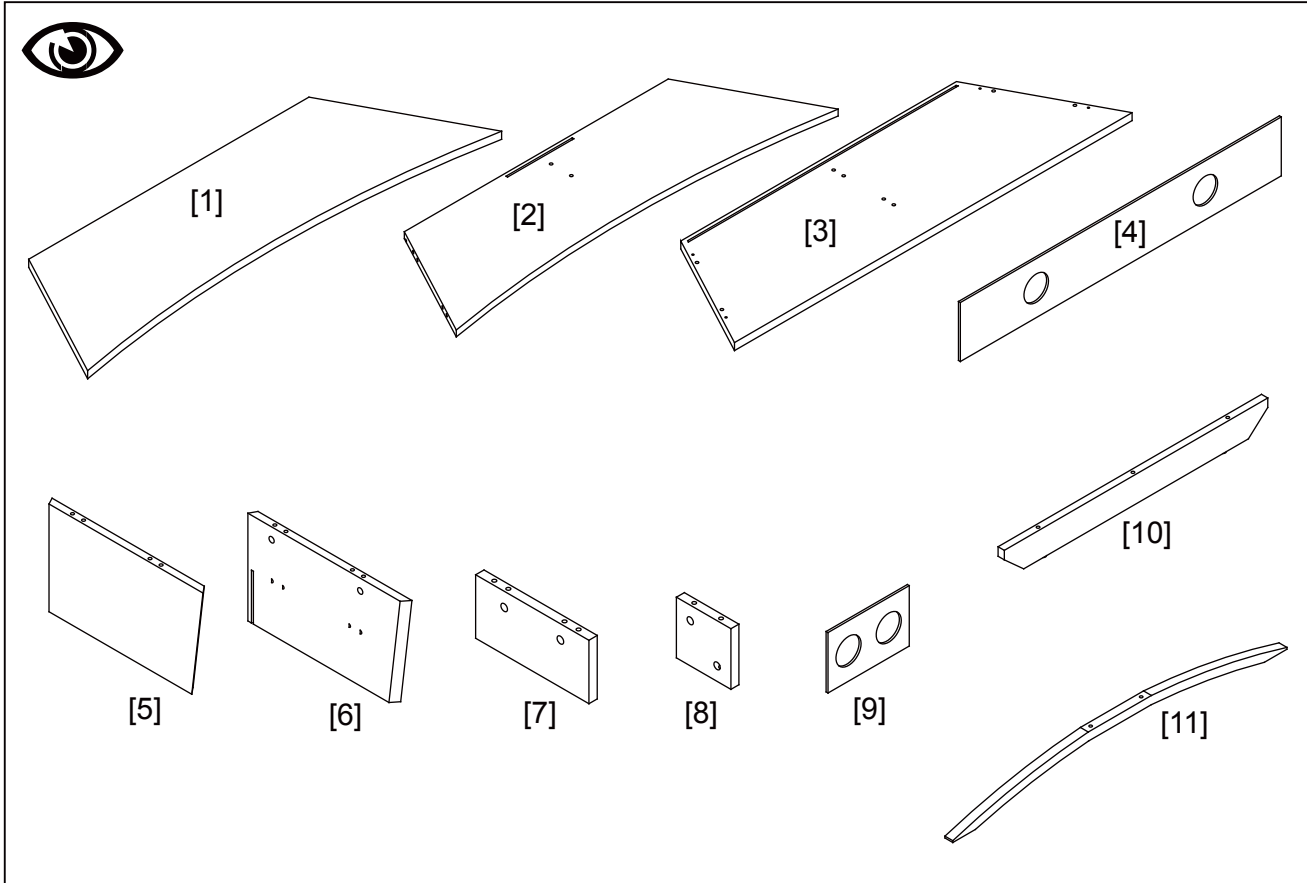
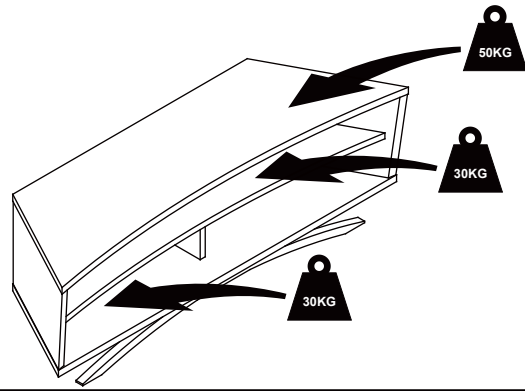
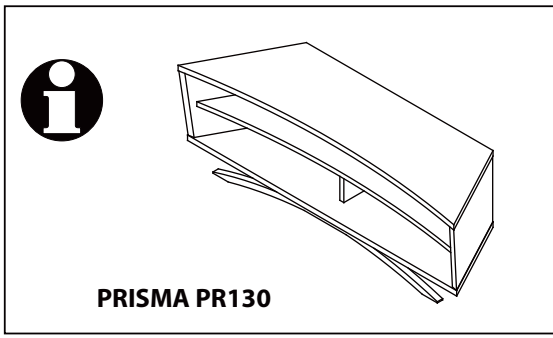
**(UK)Free Phone 0800 634 2699**  
**(US)Toll Free (844) 499-1159**



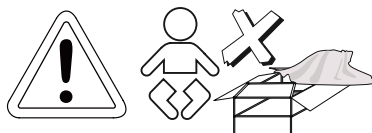
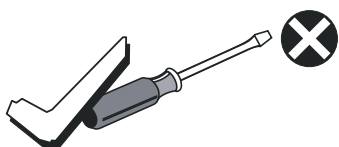
**spares@techlink.uk.com**

**Web**

**www.techlink.uk.com**  
**www.recharge.uk.com**



**Protect the top surface of the unit when constructing to prevent scratching!  
Take extra care not to over tighten any screws as this may cause damage!**



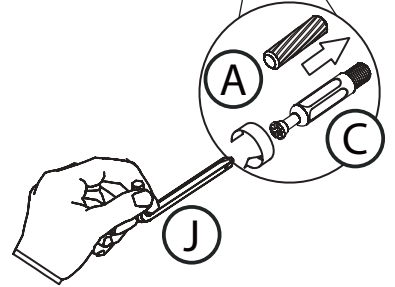
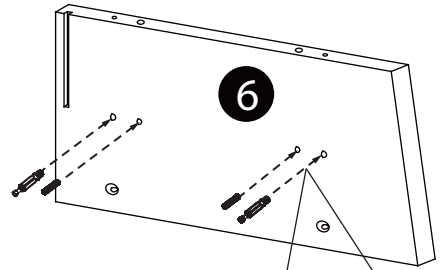
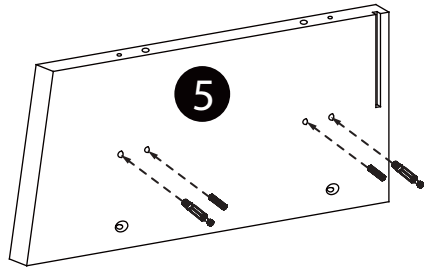
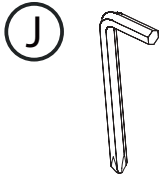
1



Take extra care not to over tighten any screws as this may cause damage!

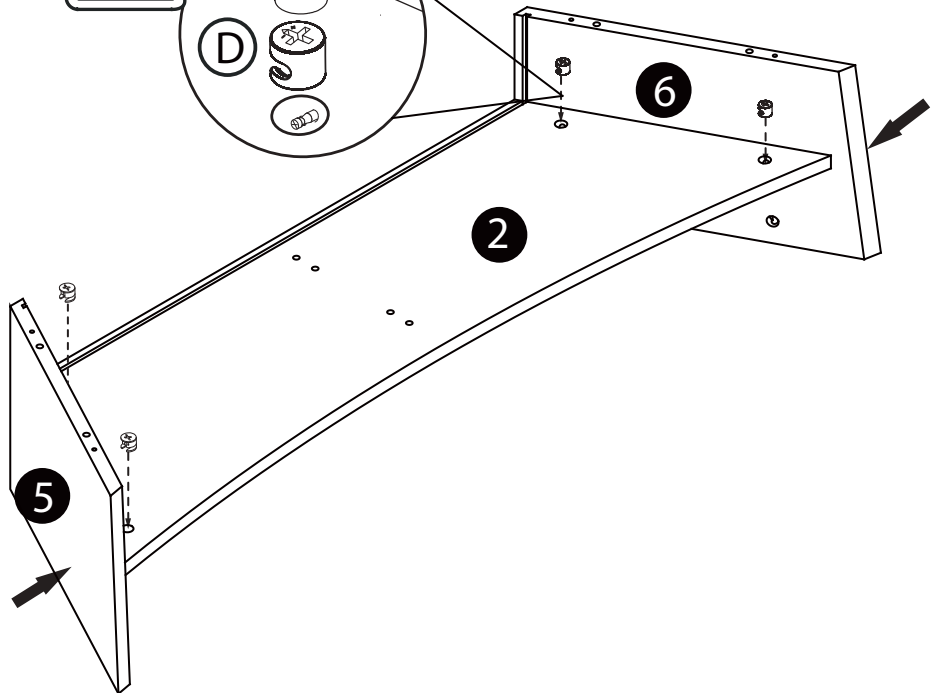
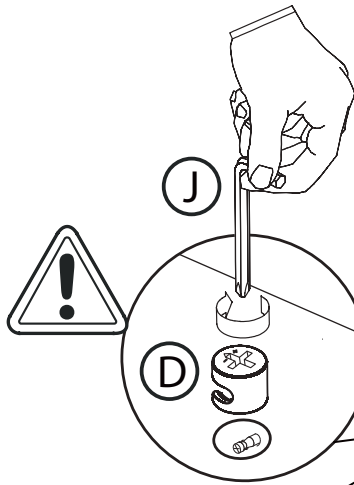
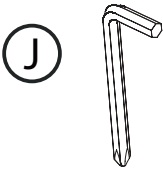
A x4

C x4



2

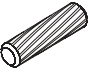
D x4




3



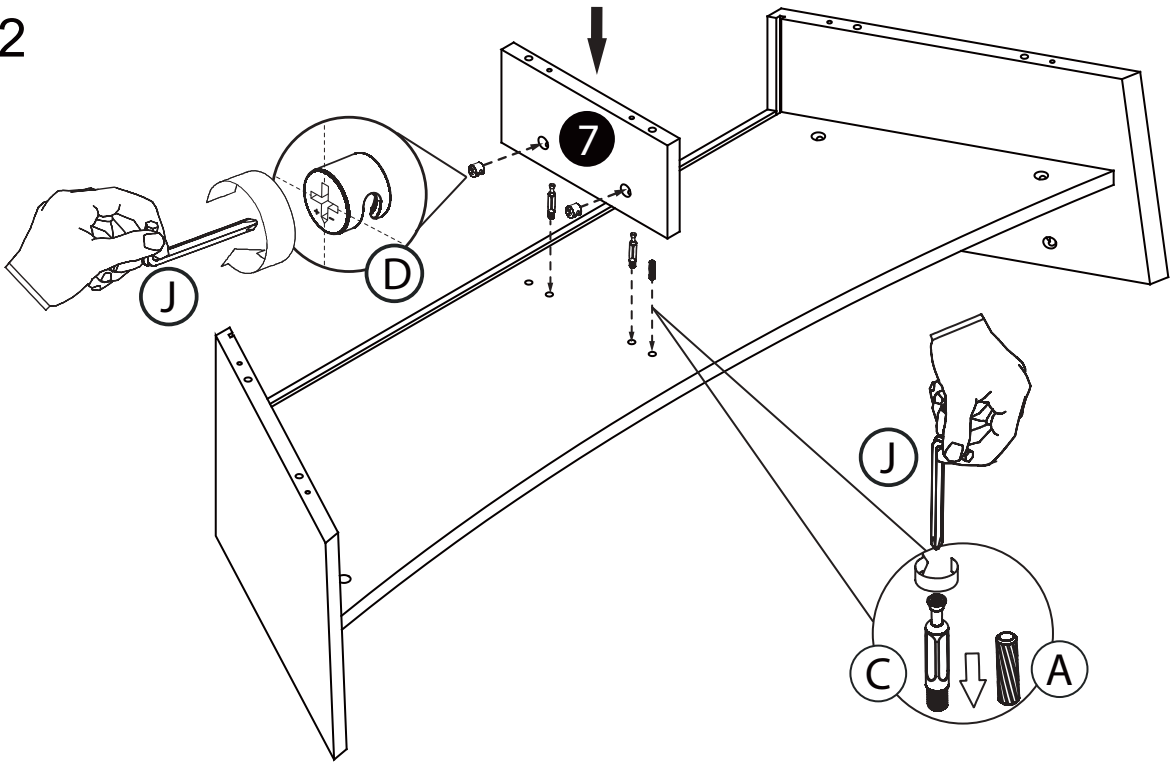
Take extra care not to over tighten any screws as this may cause damage!

(A)  x1

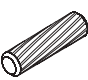
(C)  x2

(D)  x2

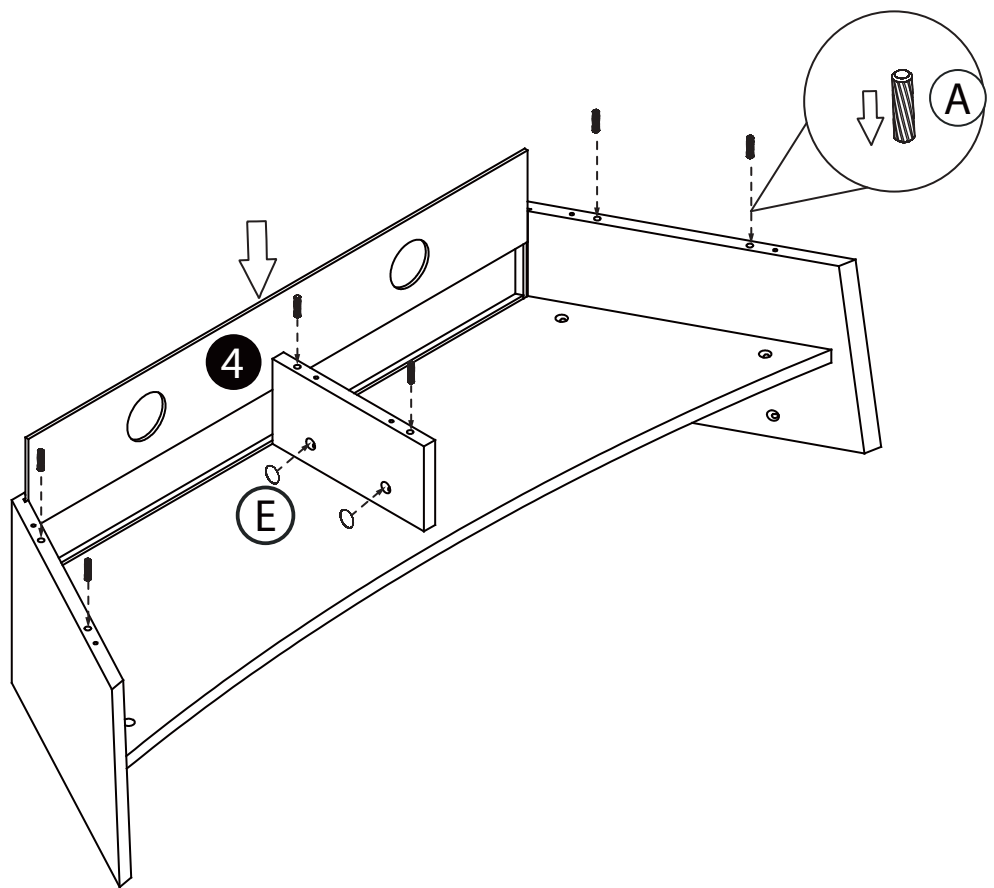
(J) 



4

(A)  x6

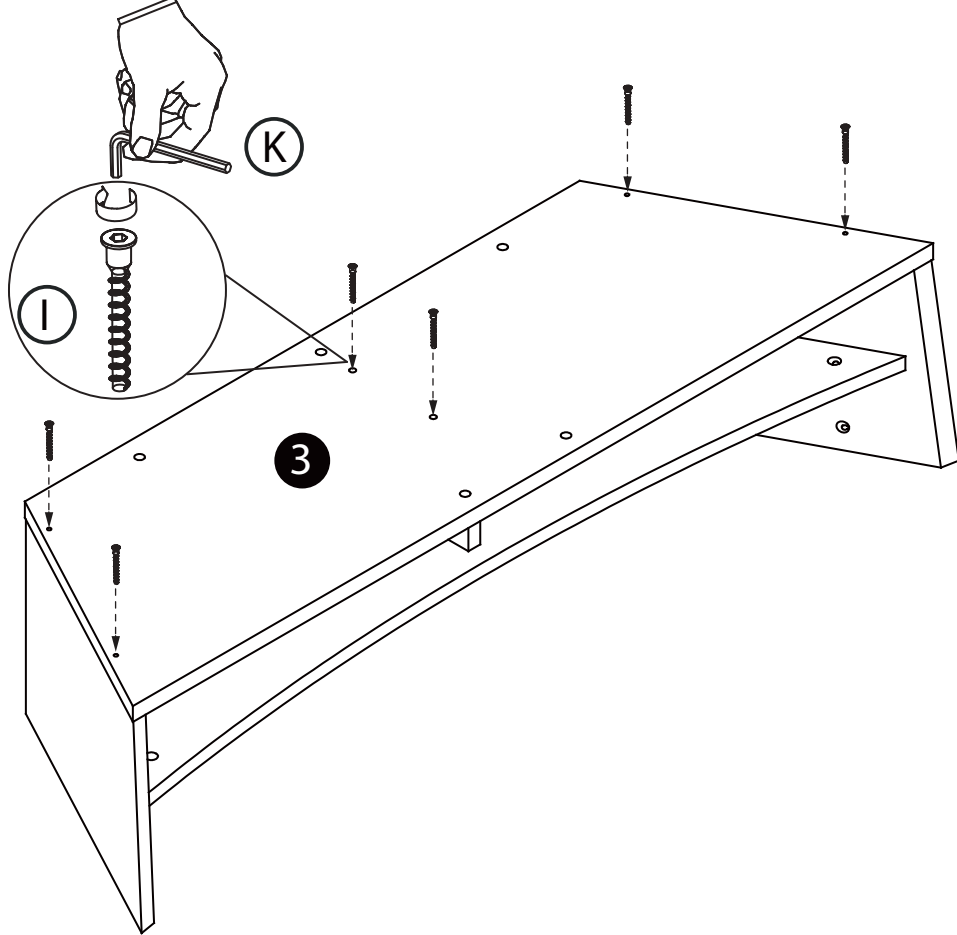
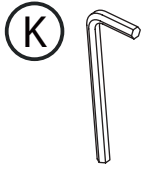
(E)  x2



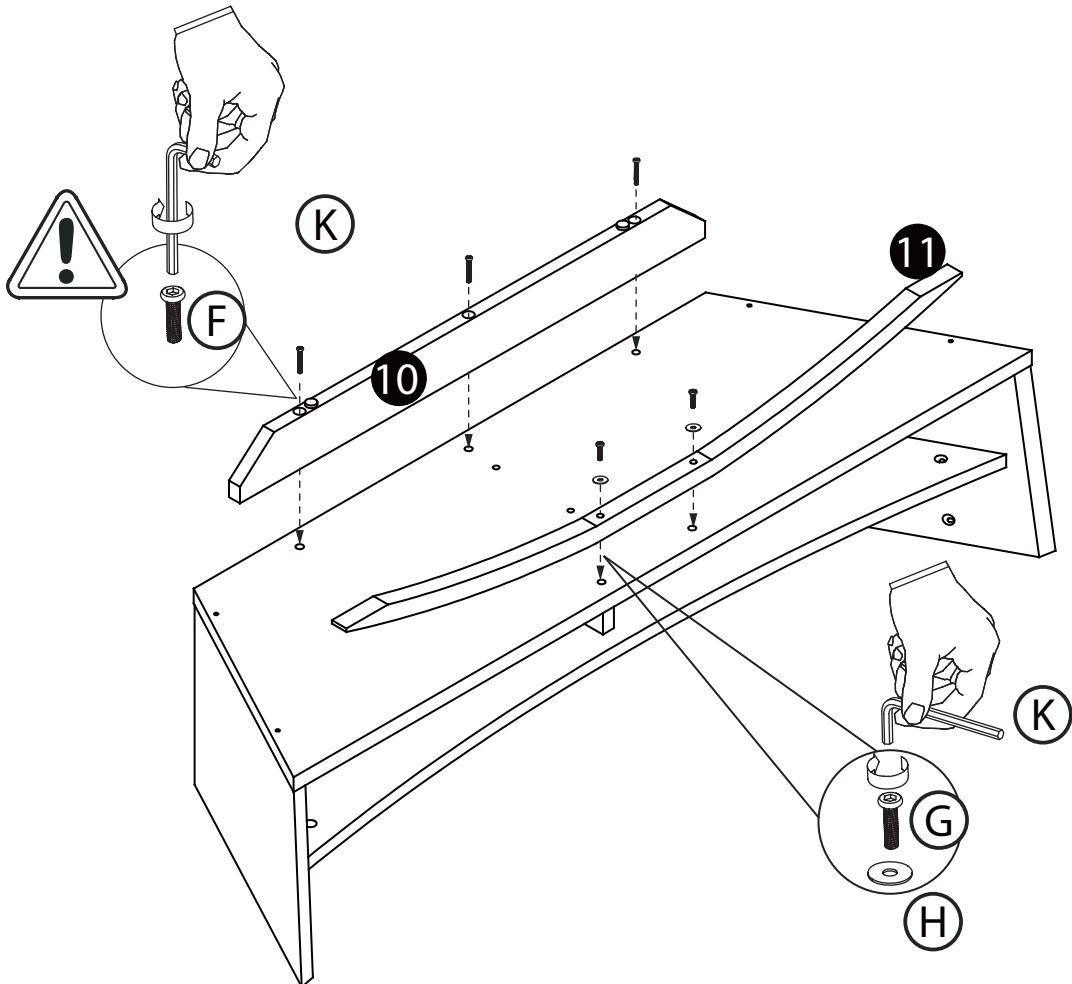
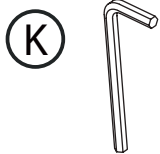
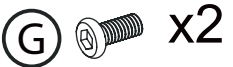
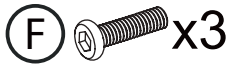
5



Take extra care not to over tighten any screws as this may cause damage!



6



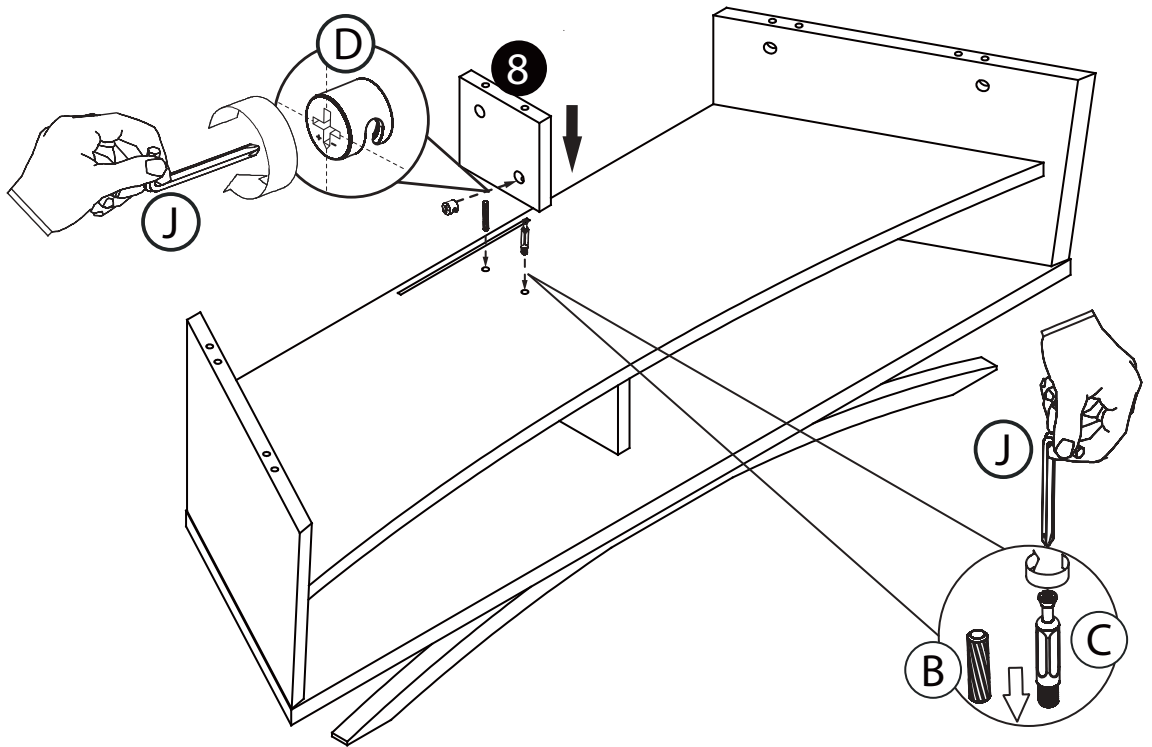
7

B x1

C x1

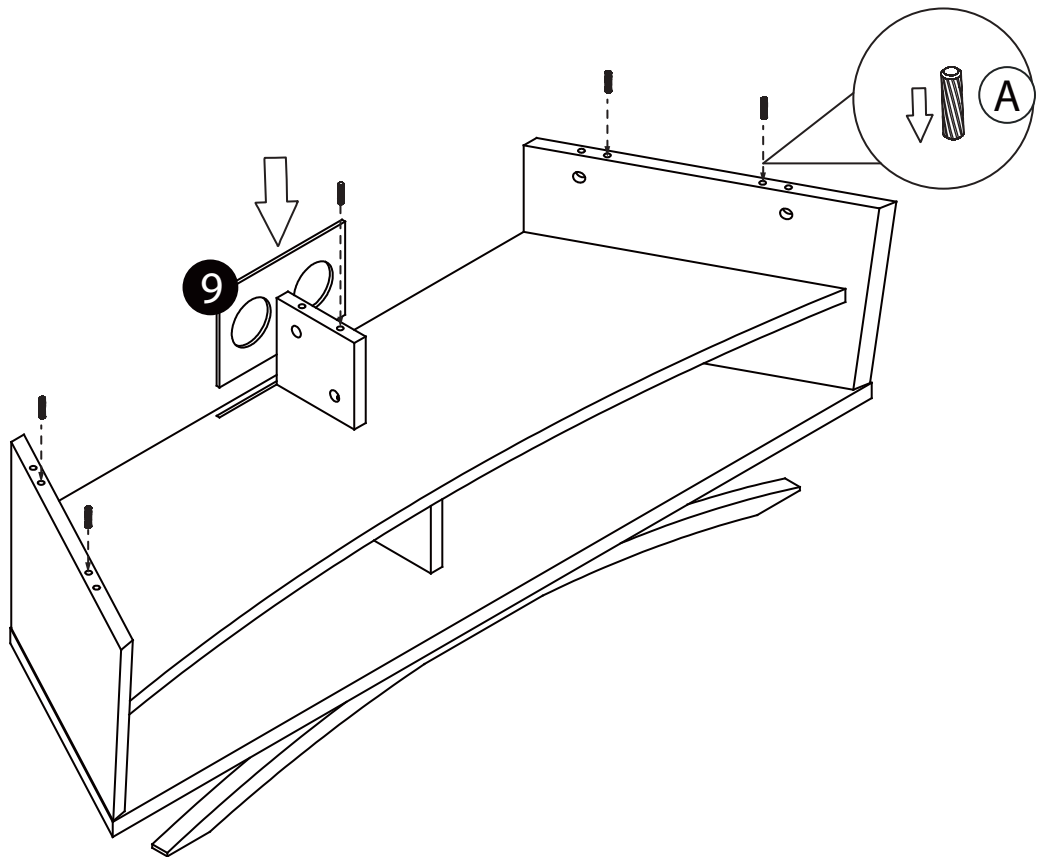
D x1

J



8

A x5

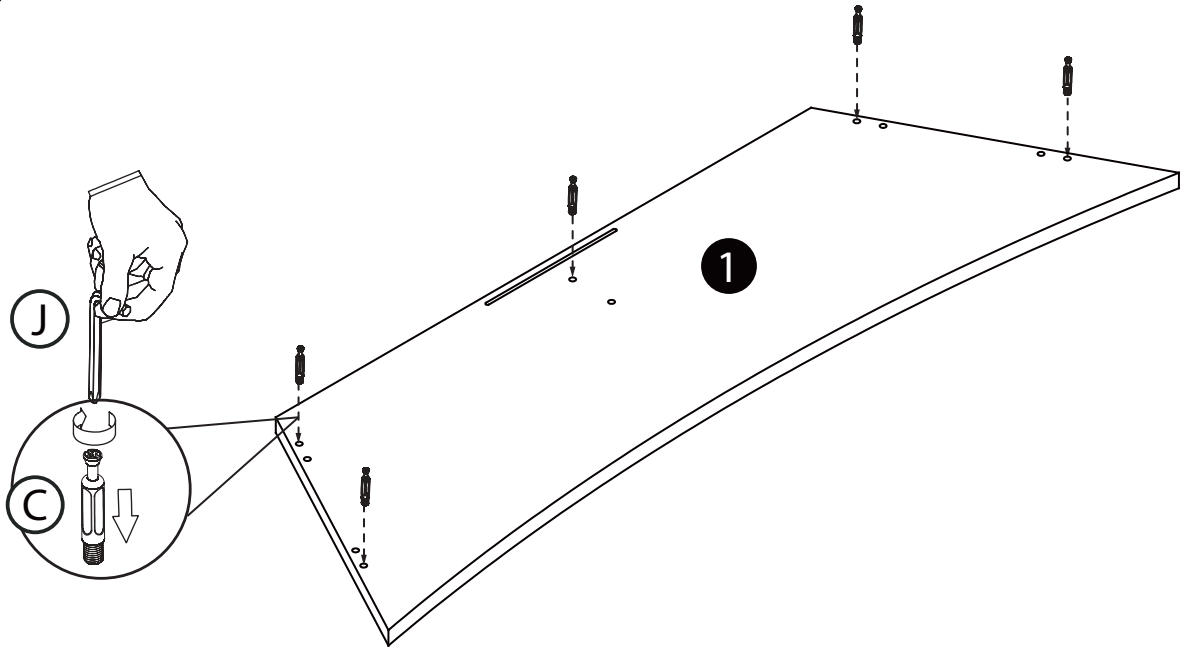
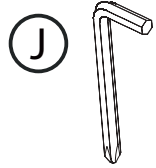


9



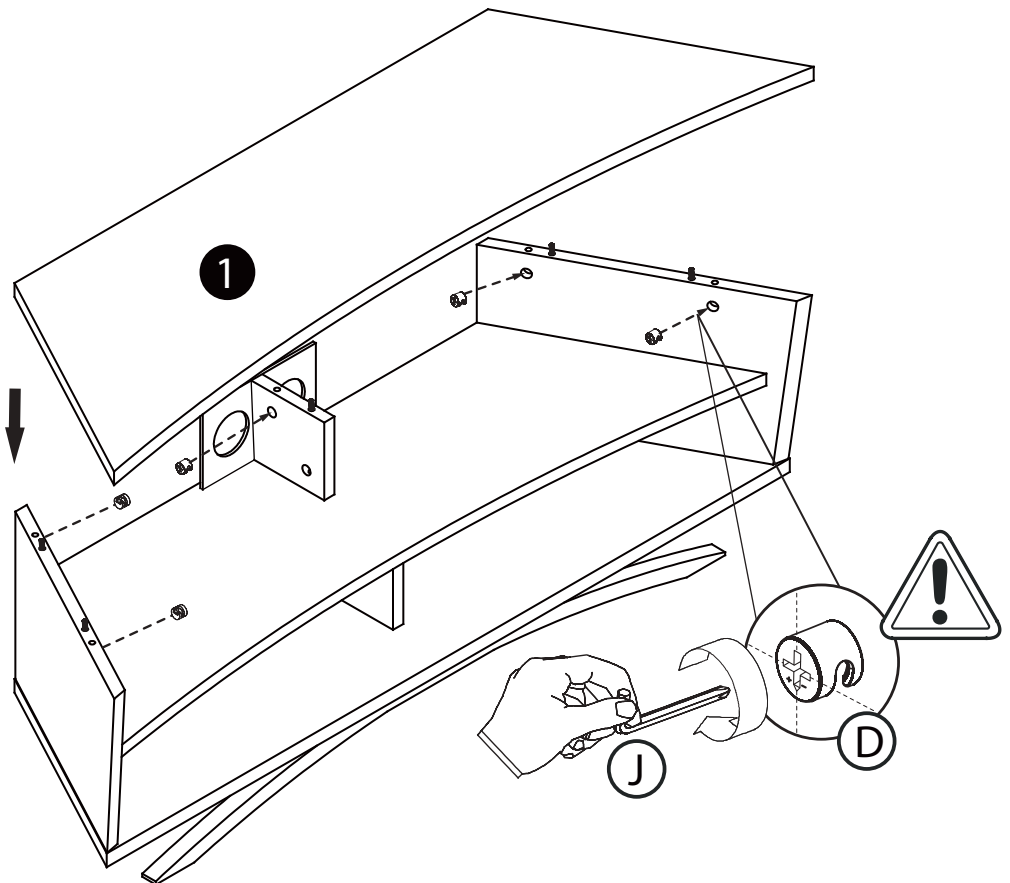
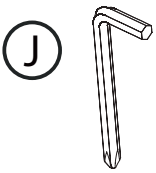
Take extra care not to over tighten any screws as this may cause damage!

C x5



10

D x5



11

E  x8

