

electriciQ

eiQ-RBV10 Robotic Vacuum Cleaner



USER MANUAL

Thank you for choosing ElectriciQ

Please read this user manual before using this robotic vacuum cleaner
and keep it safe for future reference.

Visit our page www.electriciQ.co.uk for our entire range of Intelligent Electricals

FEATURES

ElectriQ brings you an easy to use robot vacuum cleaner that works both on hard floor surfaces and carpets. This is not a sweeper but a real vacuum cleaner with powerful suction and the latest dual side brush system.

You can now enjoy your personal time while the robot will clean for you.

Slim profile at only 8.2 cm height and 31 cm diameter this time saving device will get in hard to reach places, including under furniture where other robots or vacuum cleaners will fail to operate.

Simple operation includes simple to follow voice prompts, single touch ON / OFF button and adjustable cleaning timer.

Easy to use due to automated cleaning pattern, your robot benefits from an advanced cleaning algorithm that ensure that maximum effective cleaning is achieved with minimum iterations. There are 6 advanced programs in operation that will advance from spot cleaning, identifying the walls, pattern cleaning, around the wall cleaning, systematic inline cleaning and even an under bed / sofa program.

According to the set timer the programs will be intelligently combined for maximum cleaning efficiency.

Two extra-long side brushes around the outer edges ensure that dirt is gathered even from corners and borders. The middle suction vacuum will ensure dirt and debris are efficiently collected.

This robot features multi-sensors including side infrared sensors that scan 180 degrees in front of the robot to avoid collision ensuring it stops before bumping into objects. There are also four ground sensors that will stop the robot from failing of any steps.

Great on hard floor and low and medium pile carpet will transition most of the hard floor / carpets setups.

With carry handle and easy to empty bag less front loading rubbish container.

An easy to clean HEPA filter will improve air quality in your household during the cleaning operation.

SAFETY INSTRUCTIONS

Important

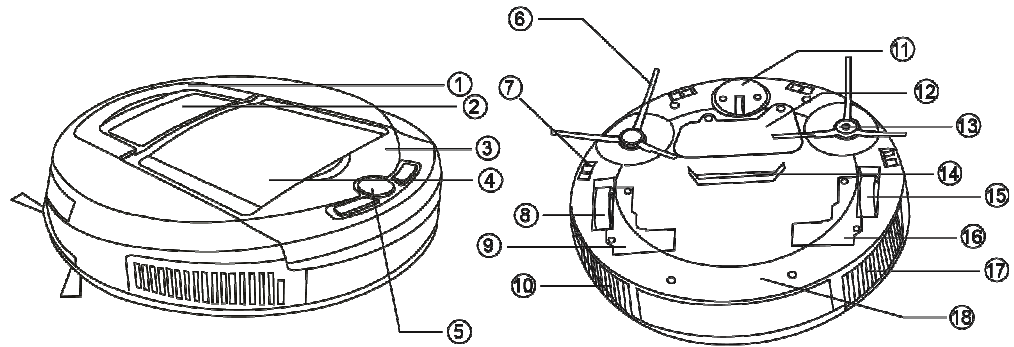
- Carefully read the instructions before operating the unit
- This appliance is for indoor use only.
- Rating: This unit must be only connected to a 220-240 V / 50 Hz earthed outlet. Always check the rating label against your electrical supply.
- If you are in any doubt about the suitability of your electrical supply have it checked and, if necessary, retested by a qualified electrician.
- This robotic vacuum cleaner been tested and is safe to use. However, as with any electrical appliances - use it with care.
- Disconnect the power plug from unit before dismantling, assembling or cleaning.
- Do not clean the unit by spraying it or immersing it in water.
- Never operate this appliance if the cord or power supply is damaged. Ensure the power cord is not stretched or exposed to sharp object / edges.

- Do not use the appliance if any part or any accessory is damaged or defective.
- A damaged power supply should be replaced only with original parts from the manufacturer.
- Avoid touching any moving parts of the appliance.
- Never insert fingers, or any other objects while machine is in operation.
- This appliance is not intended for use by persons (including children) with reduced physical, sensory or mental capabilities. It is also not intended for use by those with a lack of experience and knowledge, unless they have been given supervision or instruction concerning the use of the appliance by a person responsible for their safety.
- Do not leave children or animals unsupervised with this appliance.
- Only use original battery or charger from manufacturer, any third party components may damage the unit.
- Any service other than regular cleaning should be only performed by an authorized service representative. Failure to comply could result in a voided warranty.
- Do not use the appliance for any other purposes than its intended use.
- Do not use the appliance in places with high humidity (>80%RH)
- Do not immerse the robot in water or other liquids. If the robot is immersed in water or other liquids by mistake, do not touch it with your hands. If the appliance is immersed in water or other liquids, discard it. Do not use if you spilled liquids on the floor.
- Do not use to clean printer tonner spilled on the floor as this could cause fire.
- Before using the robot cleaner, remove any fragile objects from the floor e.g. glasses, bottles, candles, lamps. Also removes any sharp metals, needles, nails, sharp glass pieces or any other objects that could block or damage the roobt
- Do not place any object on the top of the robotic cleaner
- Do not leave any fragile objects on the side of the tables, cabinets etc where the robot could bump into and cause them to fall.

Unit Safety Protection and Performance Tips

- Make sure unit is assembled correctly before use
- Charge for 24 hours before operating first time. If not using the robot for a long time please fully charge and remove the battery
- Clean robot and brushes regularly. Empty and vacuum the dust container
- If the robot become entangled, remove brushes, clean the debris and reassemble

Parts



1. Carry Handle

2. LED Screen

3. Control panel

4. Dustbin cover panel

5. On / Off button

6. Right brush

7. Infrared sensor

8. Right wheel

9. Right wheel panel

10. Side right vents

11. Swivel caster

12. Battery cover

13. Left brush

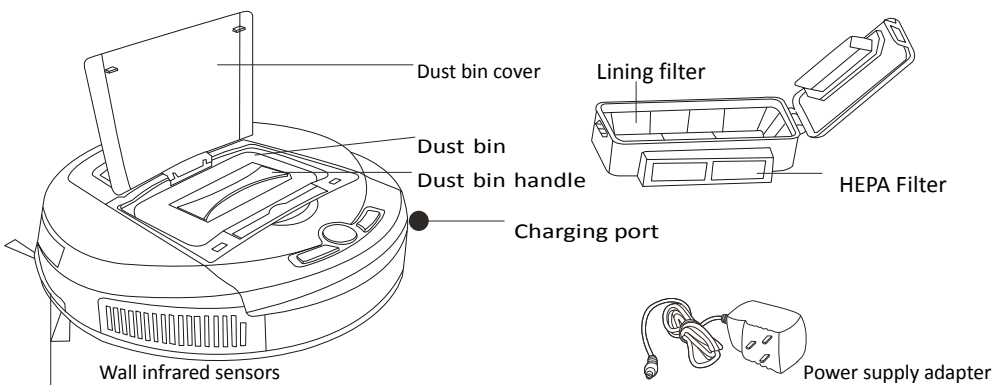
14. Air suction inlet

15. Left wheel panel

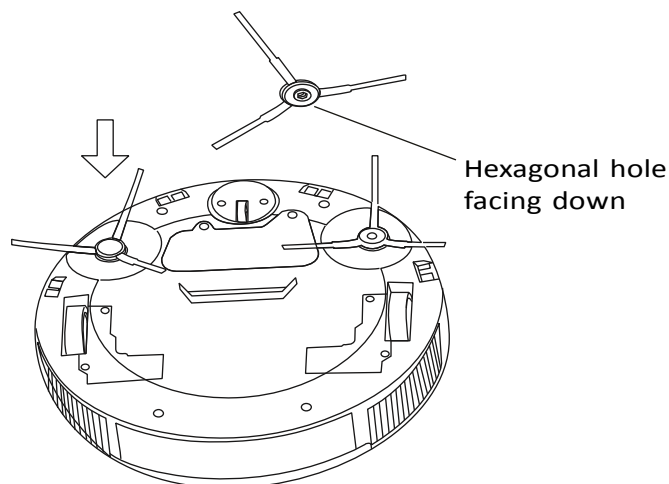
16. Side right vents

17. Bottom Shell

Assembly



Installing the side brushes



Align each brush with the hexagonal hole facing down and press firmly until it clicks into place.

OPERATION		
1	ASSEMBLY	Assemble the robot and install the side brushes as per instructions.
2	ON	When Power is OFF , press ON button, "Power ON" voice prompt will play.
3	OFF	When Power is on, press and hold ON button, power off alarm sound will play.
4	LOCATE	Place the robot in the middle of the area to clean.
5	POWER ON	Start the robot by pressing ON key until the LCD screen display turns on. The LCD screen will show 20 minutes as default operation time and also battery charging status.
6	SELECT RUNNING TIME	If you want longer operation time than 20 minutes, please select the desired operation time by using - or + key from 0-99. Robot will beep while - or + keys are pressed. The robot will operate according to the timer's selection. While robot is in cleaning mode pressing - or + will stop operation, decrease or increase the timer; resuming operation will require pressing ON key again.
7	START CLEANING	Press ON button again after turning the robot on or after timer selection to initiate the cleaning cycle. If ON is not pressed within few minutes the robot will go into standby and had to be initiated again. Voice prompt will be played " Cleaning cycle initiated ". If the operation time is set to 0, the robot will not start. If operation time is set to more that power left in the battery or exceeding the battery capacity the robot will only clean until battery runs out.
8	STOP CLEANING	While in operation, you can stop the robot by pressing any of the ON , - or + keys.
9	DISPLAY REMAINING TIME	The remaining operating minutes light and battery status light will be on during operation, the timer will decrease until operation is paused or terminated.
10	AUTO STOP	When reaching the pre-set time and the display showing 0 minutes, the robot will stop and the " Cleaning cycle completed " voice prompt will be played. If battery runs out before the robot will switch off and will need charging.
11	STANDBY MODE	If no operation is selected the robot will go in standby mode after 1 minute. The OFF alarm prompt will sound.
12	LOW BATTERY WARNING	When the battery less than 25%, the battery status light " " will flash. If the robot shuts down while working due to low battery please charge the robot.
13	ERROR WARNINGS	If the robot shuts down while working and voice prompt "Error occurred. Clean or unblock" will be played please check if the side brushes or the wheels are trapped. Follow the instructions from the cleaning section. Check if any debris are blocking the brushes and clean also the ground and side sensors with a wet tissue. If this fails to, please contact the service centre. Then restart the robot on the even surface.
14	EMPTYING AND CLEANING THE DUST BIN	When the robot finishes the cleaning cycle, please lift the lid on the top and remove the dust bin by its handle. Place the robot dustbin over a large rubbish container or in a plastic bag and empty the robot rubbish collection container. Please vacuum, brush or wipe the remaining dust in the collector. Every so often, Hoover the HEPA filter and remove the lining filter in the container vacuuming it. The lining filter can be washed in hot soapy water. Also clean the side brushes. Now robot is ready for a new cycle and can be recharged.

Notes:

1. The robot is suitable for hard floor and low to medium pile carpet.
2. This robot is not suitable for very uneven surface. Do not use in long pile/tick carpet!
3. Please note that this robot will collect dust and small particles. It will not clean paper, plastic bags and other large debris. It will get entangled in wires, so please declutter floor surfaces before using
4. Do not leave bottles or other breakables on the floor
5. Do not use on wet or greasy dust.

Charging

If the robot shut down while working or the battery indicator flashes, please charge the robot immediately.

1. Plug the charger in the power outlet.
2. Plug the lead in charging port on the side of the robot. The voice prompt will play **“Power charger connected, charging starts.”**
3. If the battery indicator flashes, it means the robot is charging normally.
4. When battery is charged the battery indicator will show 98-100% and the **“Battery fully charged”** voice prompt will be played.
5. When fully charged plug out the charger and power cord. An alarm sound will play.

Notes:

1. Charge the robot for at least 24 hours before the first use.
2. Each time the robot is fully depleted charge for at least 4 hours.
3. Never use the robot in temperatures less than 0°C or over 40°C as this will reduce the battery life and performance.
4. It is normal for the temperature of the charger to increase during the charging process

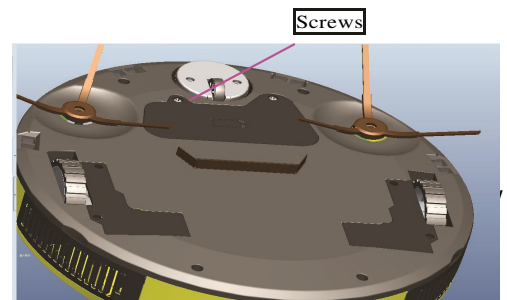
Notes: All the settings are disabled while battery is charging. LCD screen will be on and the timer and the battery icon is flashing and the charged percentage is showing.

Battery replacement

The robot battery is user replaceable.

If the battery stops keeping its hold please re-order replacement from the manufacturer or service centre.

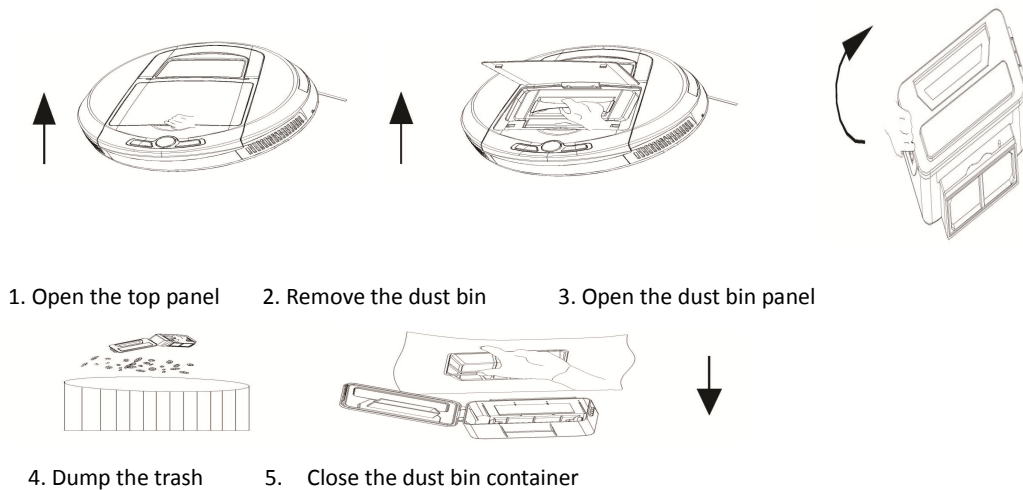
1. Make sure unit is unplugged and powered off
2. Open the battery cover (as in picture) and take out the battery and save the screws.
3. Remove the connector. Press the lock on the connector and pull it off.
4. Replace with new battery: push down the lock and push the right part to the left until you hear it clicking into place.
4. Close the battery cover and secure it with the screws you have.



Cleaning and Maintenance

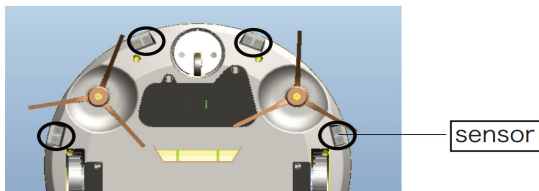
1. Make sure the unit is unplugged before cleaning.
2. Before first use and continuing after each use, wipe off unit with a damp cloth and dry thoroughly.
3. Clean all the brushes and empty the rubbish container. Vacuum or wipe with a cleaning wipe the inside of the container.
4. DO NOT immerse the robot or the power supply in any liquid.
5. Reassemble the unit following the instructions and charge it before the next use.
6. Store the robot in a cool and dry place.

Emptying the dust bin container



When the robot finishes the cleaning cycle, please lift the lid on the top of the robot and remove the dust bin by its handle. Place the robot dustbin over a large rubbish container or in a plastic bag and empty the robot rubbish collection container. Please vacuum, brush or wipe the remaining dust in the collector. Every so often, Hoover the HEPA filter and remove the lining filter in the container and vacuuming it. The lining filter can be washed in hot soapy water. Also clean the side brushes. Now robot is ready for a new cycle and can be recharged.

Cleaning the ground sensors and side brushes



There are four ground sensors. Please clean them using a wet cloth or tissue.

Do not use any solvents as they may damage the sensors.

Please check the side brushes for damages and debris. If hair or other debris are trapped please unclick the brushes and remove them. Please change the side brushes if they are damaged. Only use the parts provided by the manufacturer.

Product specifications

Power supply	Input: 110-240VAC 50-60Hz, 0.3A Output: 16.8VDC, 800MA
Rechargeable battery	NICD 10.8V, 1300MAH
Working current	1.8 Amps
Charging time	2 hrs
Operating Time	Max 45 min.
Cleaning Efficiency	99%
Dustbin capacity	0.6 l
Cleaning area diameter	340 mm
Dimension (wxdxh)	310x310x82 mm
Net weight	2 kgs

Troubleshooting

Please read this instruction manual carefully before you send the robot to the service centre.

Error	Problem	Solution
E1	Dust bin removed Error	The robot will stop working or charging if the dust bin container is remove from its place. " ! "light, "□"light and fault code "E1"will flash beeping 3 times. It will stop flashing after the dust bin is put back in its place.
E2	Fault in the vacuum suction system	The robot will stop working if motor is jammed, over-current, short circuit or PCB fault. "!" light, "*" light and fault code"E2"will flash. The voice prompt "Error occurred, clean or unblock" will be played. Clean the brushes and the debris than long press "ON" button, the machine will be off and should clear the fault state. If fault is still present after restarting the robot contact the service centre.
E3	Abnormal battery temperature	The battery temperature should range between -15°C-60°C, the machine will stop operating or charging if it is beyond this range. " ! "light, " " battery light and fault code "E3"will flash beeping 3 times. A. If the machine is charging, pull off the charging jack and long press "ON" button, the machine will be switching off and clear the fault state. Leave off for minimum 60 minutes than restart. B. If the machine is in cleaning mode, long press "ON" button, the machine will be switching off and clear the fault state. Leave off for minimum 60 minutes than restart. If fault is still present after restarting the robot contact the service centre.
E4	Battery low voltage protection	The machine will stop working when battery voltage is lower than 0.95V, " " battery light and fault code "E4"will flash beeping 3 times. Long press "ON" button, the machine will be switching off and clear the fault state. Leave off for minimum 60 minutes than restart. If fault is still present after restarting the robot contact the service centre.
E5	Faulty battery warning	A. Battery faulty error will appear if battery voltage is higher than 1.7v before charging B. Battery faulty error will appear if battery voltage is lower than 1.1V after charging for 30 minutes, the machine will stop charging or working when the battery faulty error is present, " " battery light and fault code "E5"will flash beeping 3 times. Pull the charging jack off than long press "ON" button, the machine will be switching off and clear the fault state. Leave off for minimum 60 minutes than restart. If fault is still present after restarting the robot contact the service centre.
E6	Faulty charger warning	The open circuit and loading voltage of the charger should be 3V-17V, charging current should be 400 mA-1200 mA, the robot will stop charging if beyond this range. " " battery light and fault code "E6" will flash beeping 3 times. Pull the charging jack off than long press "ON" button, the machine will be switching off and clear the fault state. Leave off for minimum 60 minutes than restart. If fault is still present after restarting the robot contact the service centre.

E7	Charging time safety warning	The robot will stop charging after 5 hours. If there is a fault "!" light, " " battery light and fault code "E7" will flash beeping 3 times. Pull the charging jack off than long press "ON" button, the machine will be switching off and clear the fault state. Leave off for minimum 60 minutes than restart. If fault is still present after restarting the robot contact the service centre.
E8	Over current protection	When the robot is operating and discharging or charging and if current is higher than 3 A for more than 3 seconds, the robot will stop charging / discharging fault "!" light, " " battery light and fault code "E8" will flash beeping 3 times. Pull the charging jack off if connected than long press "ON" button, the machine will be switching off and clear the fault state. Leave off for minimum 60 minutes than restart. If fault is still present after restarting the robot contact the service centre.
E9	Robot is jammed	The robot will stop working if it is jammed. "!" light fault code "E9" will flash, voice prompt "Error occurred. Clean or unblock" will be played. Long press "ON" button, the machine will be switching off and clear the fault state. Leave off for minimum 60 minutes than restart. If fault is still present after restarting the robot contact the service centre
EA	Machine picking up	When the robot is picked up from ground " ! "light and fault code "EA" will flash will beeping three times; a) the machine will continue to work placed back to ground within 30 seconds b) after 30 seconds you need to short press "ON" button to clear the fault status
EB	Fault in side brushes	The robot will stop working if there are faults in the side brushes. "!" light and fault code "EB" will flash and the voice prompt "Error occurred. Clean or unblock" will be played. Clean the side brushes, remove the debris than short press the "ON". This should clear the fault status.
EC	Fault in left side wheel	The robot will stop working when left side wheel is blocked. "!" light and fault code "EC" will flash and the voice prompt " Error occurred. Clean or unblock " will be played. Clean the wheel or remove the debris than short press the "ON". This should clear the fault status.
ED	Fault in right side wheel	The robot will stop working when right side wheel is blocked. "!" light and fault code "ED" will flash and the voice prompt " Error occurred. Clean or unblock " will be played. Clean the wheel or remove the debris than short press the "ON". This should clear the fault status.



Disposal: Do not dispose this product as unsorted waste. Collection of such waste must be handled separately as special treatment is necessary.

Recycling facilities are now available for all customers at which you can deposit your old electrical products. Customers will be able to take any old electrical equipment to participating civic amenity sites run by their local councils. Please remember that this equipment will be further handled during the recycling process, so please be considerate when depositing your equipment. Please contact the local council for details of your local household waste recycling centres.

ElectriQ UK SUPPORT

www.ElectriQ.co.uk/support

If the unit still fails to operate call: 0871 620 1057

or complete the online form

Office hours: 9AM - 5PM Monday to Friday

www.ElectriQ.co.uk

Unit 2, The Nursery

Berristow Lane

South Normanton

Derbyshire, DE55 2FX