

BLUBEATS



BRING THE
SOUND
WITH YOU

BluBeats Wireless Speaker Manual

Pair Speaker with Bluetooth Device

- a) **Turn Speaker on.**
- b) **Activate Bluetooth on your Bluetooth device.**
- c) **Search and Pair "BluBeats" on your Bluetooth device.**
- d) **You'll hear a tone from the speaker once the devices are connected.**

Select different modes on the speaker

To change between modes on the speaker simply press the M button on the bottom of the speaker. A Red light on the speaker will flash to signify that you have changed modes.

- 1) **Bluetooth (Mode 1)**
- 2) **Radio (Mode 2)**
- 3) **External playback (Mode 3)**

BLUBEATS

Listening via Bluetooth (Mode 1)

- a) **Turn the speaker on. The device will automatically default to Bluetooth (mode 1) once switched on.**
- b) **Turn your Bluetooth device on and search for "BluBeats" within your Bluetooth available devices.**
- c) **Pair and connect with the Speaker. Pairing is only required on initial set-up.**

Listening to Radio (Mode 2)

- a) **Turn the speaker on**
- b) **Insert Mini USB Cable into the DC5V port**
- c) **Select Mode 2 by pressing the M button at the bottom of the speaker until you see the red light appear once.**
- d) **Press the |>|| button to scan for FM radio stations**

Listening via External Connection (Mode 3)

- a) **Turn the speaker on**
- b) **Select Mode 3 by pressing the M button at the bottom of the speaker until you see the red light appear twice.**
- c) **Connect external device**
 - **Line-in:** Connect line-in cable to the headphone or line-out Jack of an audio device and plug the other end of the cable into the line-in jack on the bottom of the speaker.
 - **USB:** Insert a USB device into the USB Port on the Speaker
 - **SD Card:** Enter SD card into TF Slot on the Speaker

BLUBEATS

Using Speakerphone function

When you've paired the speaker to your mobile phone and receive an incoming call, the music will automatically stop and a ringing tone will sound. To answer the call you can either press the play icon at the bottom of the speaker or answer your phone as normal.

Charging the Speaker

Insert the Mini USB cable into the DC5V slot and the other end of the cable in to a USB Source (laptop, computer). Once the unit is fully charged the red light will disappear. Charging time may take approximately 2-3 hours.

BluBeats Troubleshooting

The speaker doesn't seem to play

Turn the Speaker power button to 'ON' position.

Make sure the speaker is charged. If you are not sure that the battery is charged attach the Mini USB charging cable to the speaker and plug the other end into any active USB port.

If using a Micro SD card make sure that the play/pause button is not in pause position and that the unit is in the correct mode (use the 'M' button to cycle operating modes).

If using the FM Radio mode make sure that the USB cable is connected and try tuning between different stations using the skip functions to scan through frequencies.

If connected wirelessly check that the status of the device is connected. Make sure the BluBeats Speaker is paired - connected and that the media is playing.

Try pressing the Mode button to switch modes.

Try turning the power Off then back On.

BLUBEATS

I can't pair my Bluetooth devices with the Bluetooth Speaker

Turn the Speaker power button to 'ON' position, wait a few seconds for the blue light to start flashing.

Make sure Bluetooth is activated on Bluetooth device

Unpair the BluBeats speaker from all previously paired devices.

I can't get a signal on the FM Radio

Connect the Mini USB charging Cable to the speaker and use it as an antenna

Radio signals must be strong for a good connection.

Try pressing the Pause/ Play button to tune between stations

Make sure the Speaker is in correct Mode. Try pressing the mode button to switch through modes.

I'm getting poor sound quality & static noise

If connected via Bluetooth try using the audio cable. The version of Bluetooth in your device may transfer data too slowly for good audio playback.

Adjust the distance between the speaker and the Bluetooth device – the closer the better.

Make sure the speaker grill is in an upright position

BLUBEATS

The speaker is not charging

Make sure the Mini USB cable is correctly inserted into the DC5V slot.

Make sure the USB cable is correctly inserted into a USB Source.

Check to see that the USB source is powered on.

Check to see that the red indicator light on the Speaker is lit.

The Micro SD Card is inserted into the Speaker but no music plays

Make sure the power button is in the 'ON' position.

Songs must be in either MP3 or WAV format.

Check that the battery is charged.

Try pressing the Pause/ Play button.

Make sure SD card is correctly inserted.

Make sure the Speaker is in correct Mode. Try pressing the mode button to switch through modes.

I can't seem to pair the Speaker with my Windows 8 device

Check to see that you have the latest wireless drivers on your Windows 8 device. Download new drive from themanufacturer site if necessary.

I can't adjust the volume level from my Bluetooth Device

There's currently a bug in the latest android OS (4.4KitKat) that won't allow users to adjust the volume level. Unfortunately, the user will have to wait for future OS releases for Google to fix the bug.

BLUBEATS

I can't change the volume level from the Bluetooth Speaker

Press and hold down the >>|/> or +/>>| touch sensitive buttons at the bottom of the speaker

Try pressing the Pause/ Play button

The speaker will not playback via Line-In connection

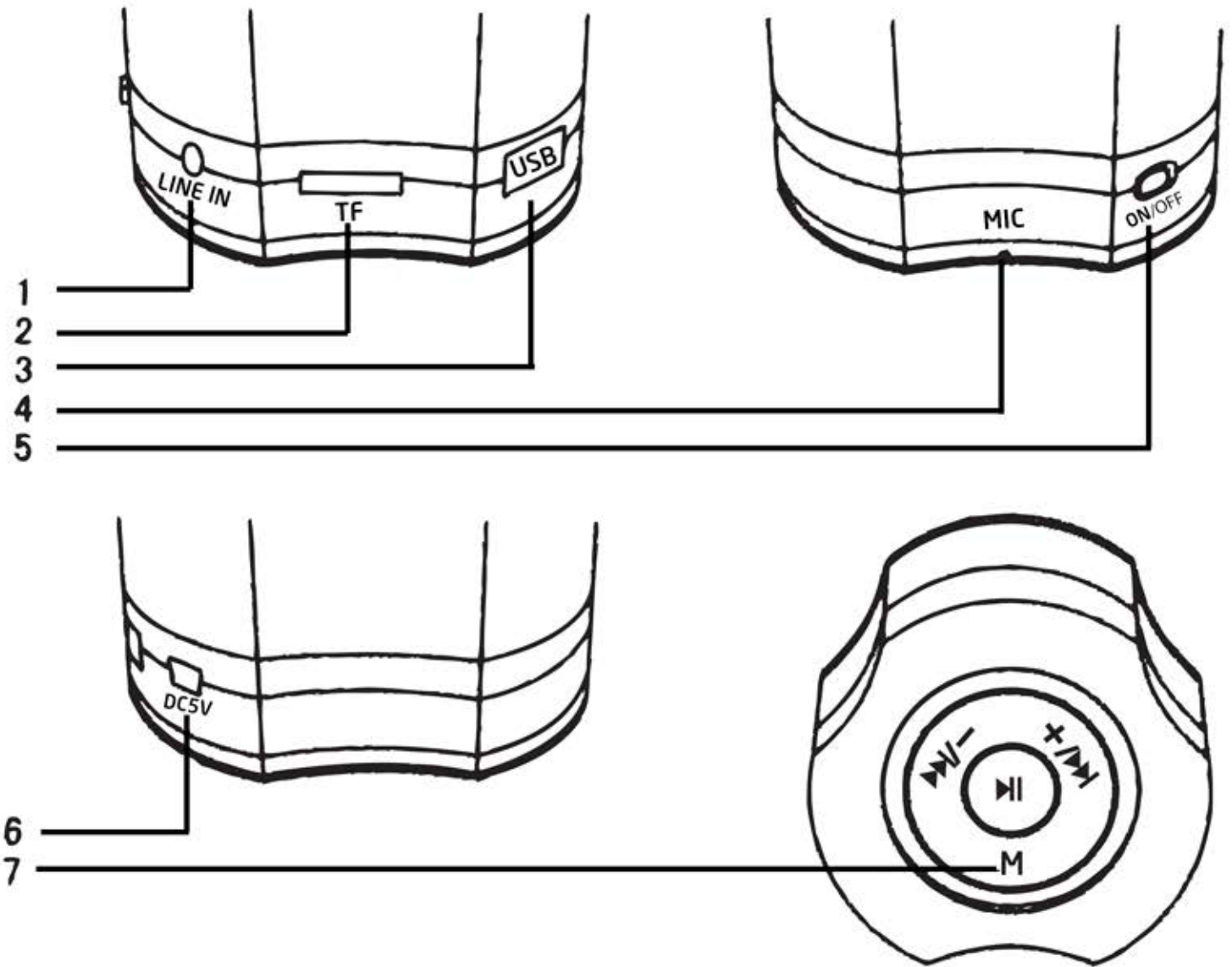
Make sure that the audio cable is correctly inserted.

Try pressing the Pause/ Play button.

Make sure the Speaker is in the correct Mode. Try pressing the Mode button to switch through modes



BLUBEATS



1. External Audio port

2. MicroSD port

3. USB port

4. Built-in Microphone

5. On/Off switch

6. USB Charging Port

7. Touch Control

1. Short touch to play the last song
Long press to increase the volume

2. Short touch to play the next song
Long press to reduce the volume

3. Short touch to play or pause

4. Short touch to change Mode